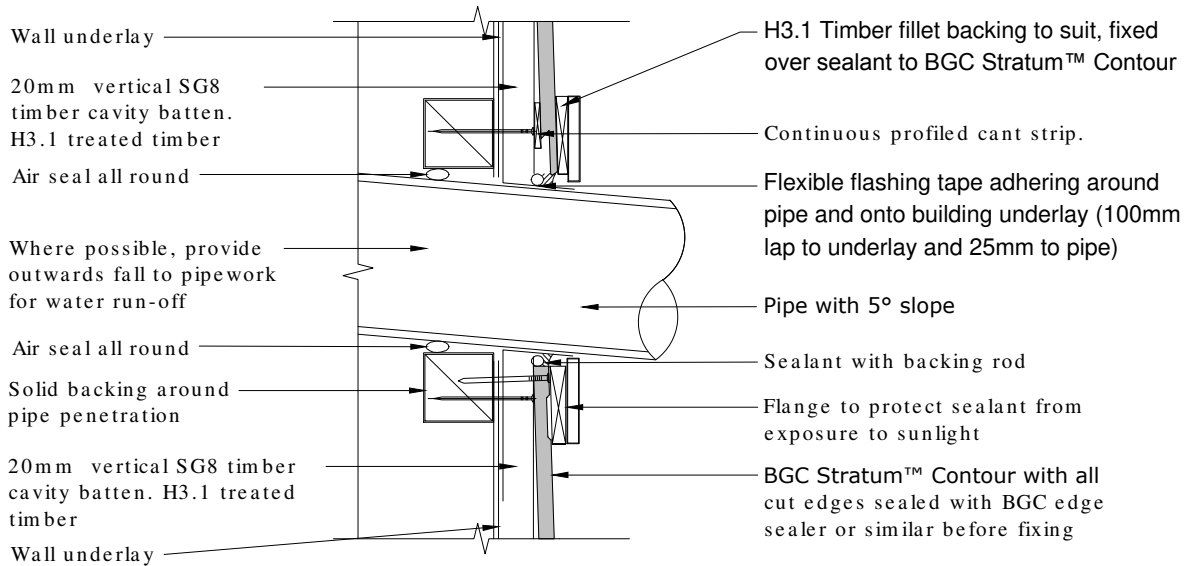




Fibre Cement

Cavity Batten Note:
 Refer to cavity batten layout for batten sizes, types, spacing's & fixings

Cladding fixing note:
 Refer to cladding fixing layout for all fixing types & spacing's



PROFILE **BGC Stratum™ Contour**

DATE **Feb 2014**

DETAIL **Pipe Penetration Detail
Cavity Construction**

SCALE **1:5 @ A4**

DETAIL NO. **STC-30**