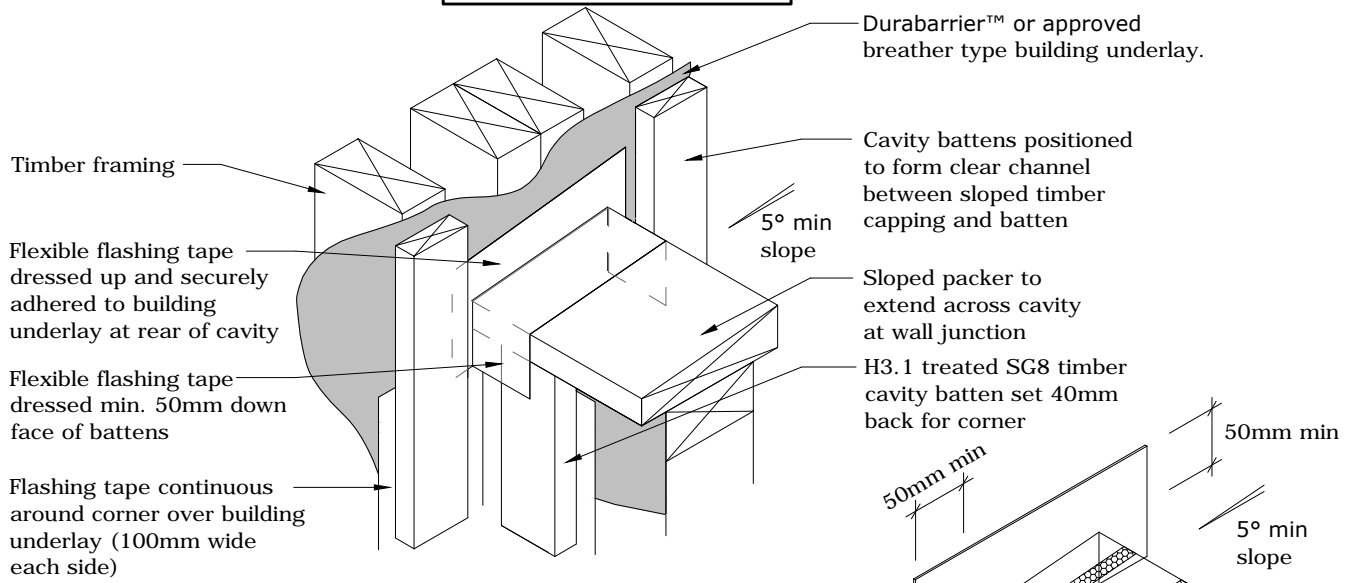
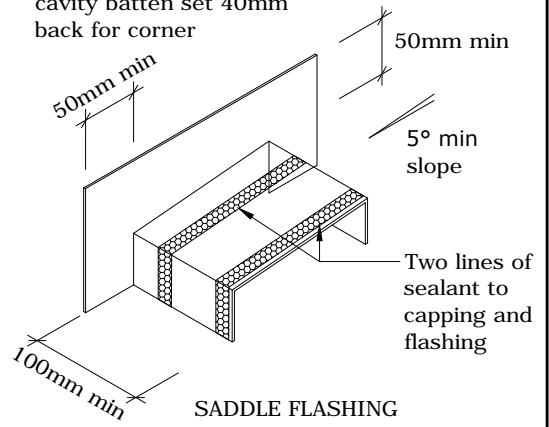




# Fibre Cement

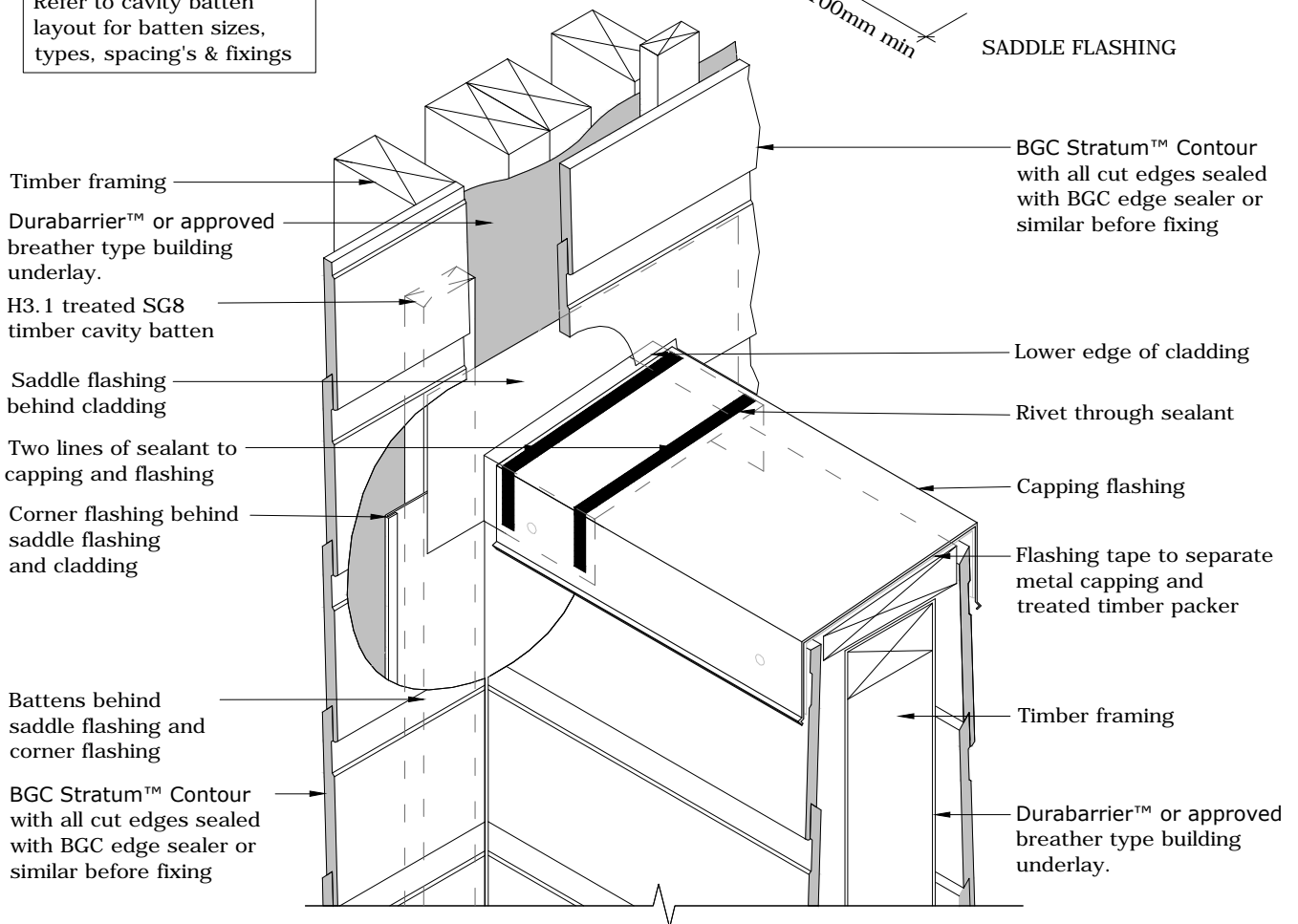


FLEXIBLE FLASHING INSTALLATION



SADDLE FLASHING

**Cavity Batten Note:**  
Refer to cavity batten layout for batten sizes, types, spacing's & fixings



PROFILE **BGC Stratum™ Contour**

DATE Feb 2014

DETAIL **Enclosed Balustrade-Wall Junction 3D  
Detail Cavity Construction**

SCALE 1:5 @ A4

DETAIL NO. **STC-24**