

BGC

Fibre Cement

Cavity Batten Note:
Refer to cavity batten layout for batten sizes, types, spacing's & fixings

Cladding fixing note:
Refer to cladding fixing layout for all fixing types & spacing's

Fold ends of head flashing to form stop ends

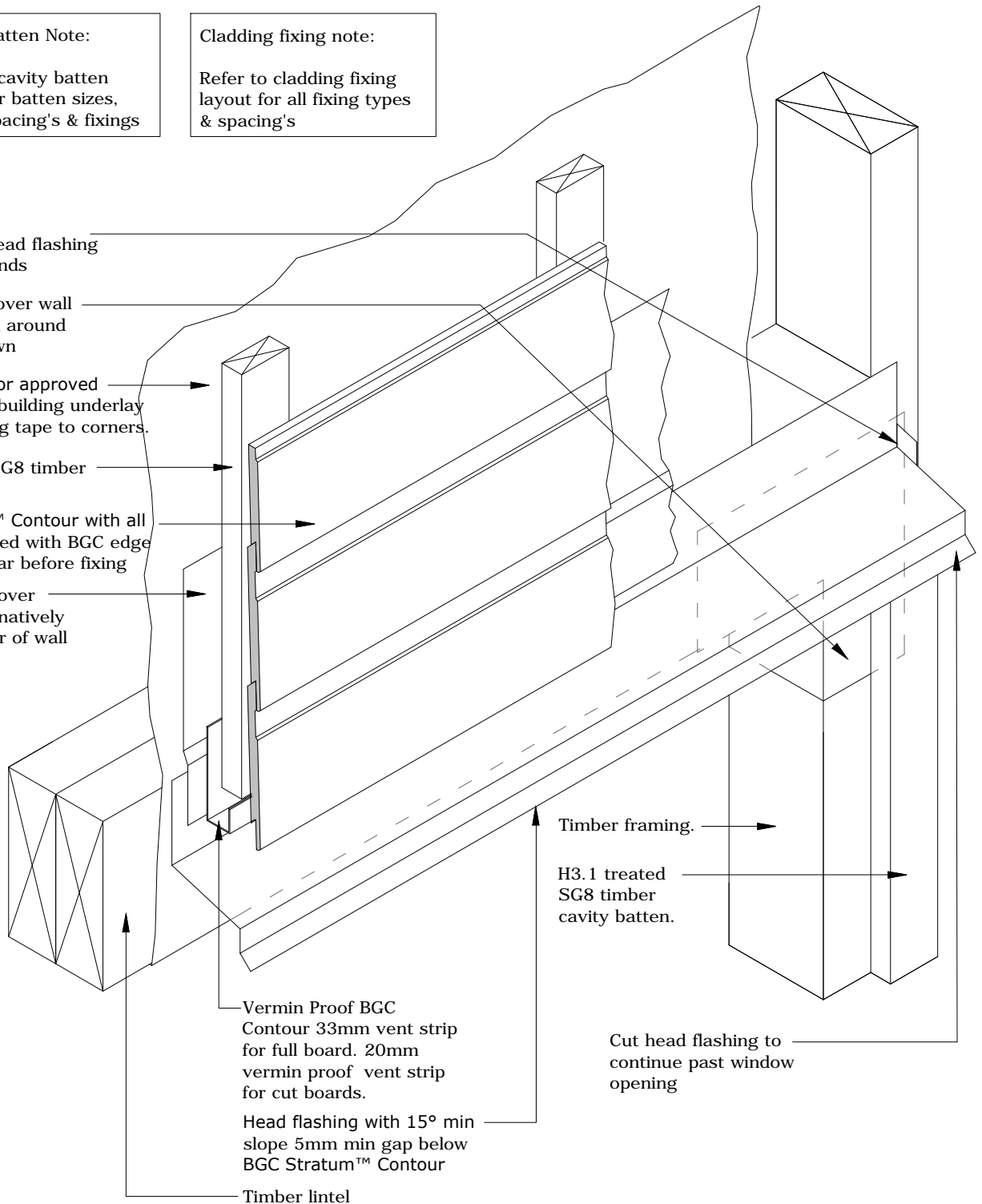
Flashing tape over wall underlay fitted around corner as shown

DurabARRIER™ or approved breather type building underlay flexible flashing tape to corners.

H3.1 treated SG8 timber cavity batten.

BGC Stratum™ Contour with all cut edges sealed with BGC edge sealer or similar before fixing

Flashing tape over flashing (alternatively use extra layer of wall underlay)



Timber framing.

H3.1 treated SG8 timber cavity batten.

Cut head flashing to continue past window opening

Vermin Proof BGC Contour 33mm vent strip for full board. 20mm vermin proof vent strip for cut boards.

Head flashing with 15° min slope 5mm min gap below BGC Stratum™ Contour

Timber lintel

Note where DurabARRIER™ is used flashing tape must be applied to the entire opening

PROFILE **BGC Stratum™ Contour**

DATE **Feb 2014**

DETAIL **Window Head/Jamb Junction Detail
Cavity Construction**

SCALE **1:5 @ A4**

DETAIL NO. **STC-17**