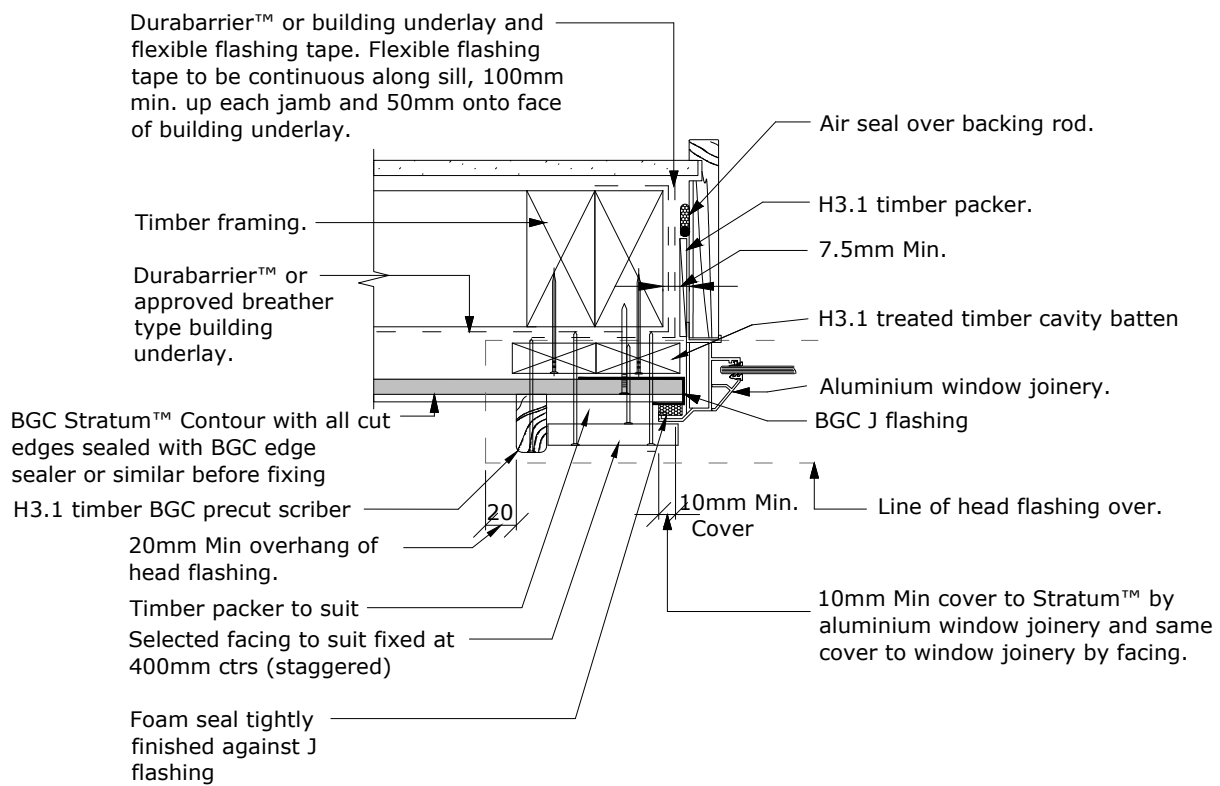




# Fibre Cement

**Cavity Batten Note:**  
 Refer to cavity batten layout for batten sizes, types, spacing's & fixings

**Cladding fixing note:**  
 Refer to cladding fixing layout for all fixing types & spacing's



Note. Where DurabARRIER™ is used flashing tape must be applied to the entire opening

PROFILE **BGC Stratum™ Contour**

DETAIL **Window Jamb Detail (with facings)  
Cavity Construction**

DATE **Sep 2016**

SCALE **1:5 @ A4**

DETAIL NO. **STC-15a**