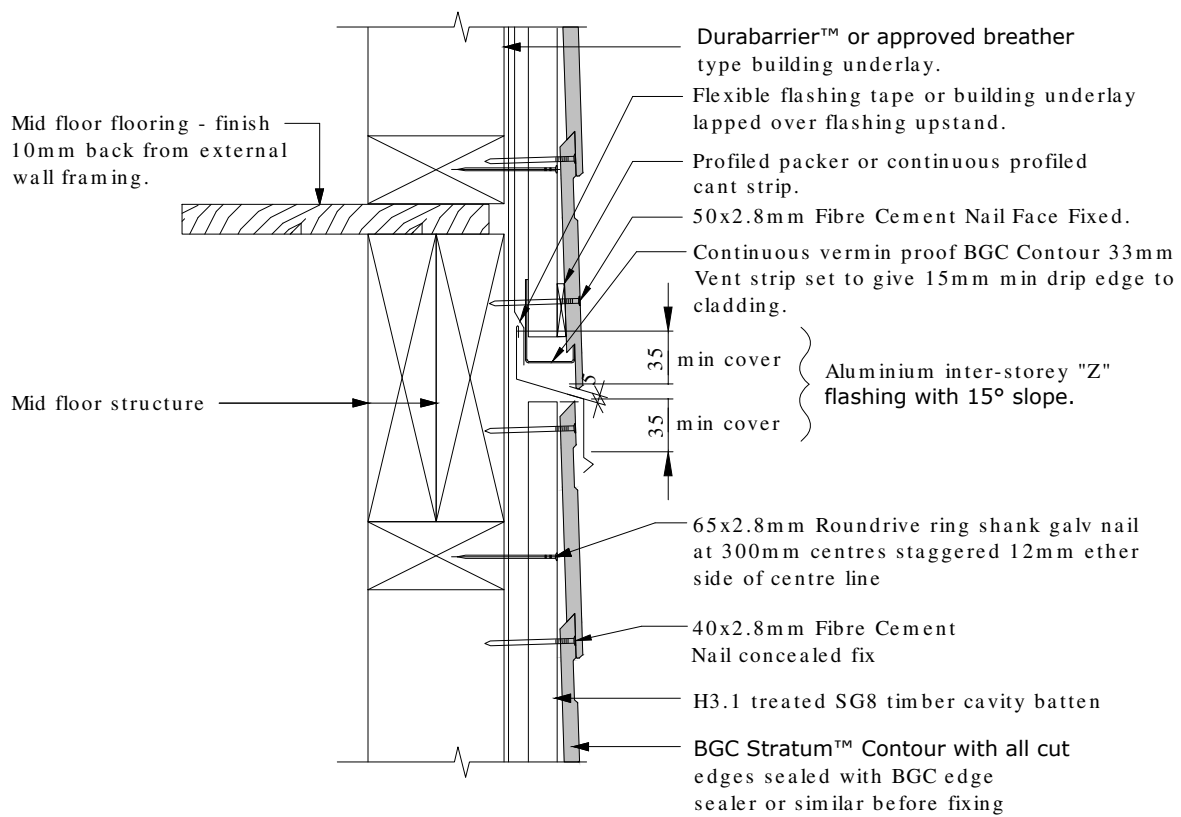




Fibre Cement

Cavity Batten Note:
 Refer to cavity batten layout for batten sizes, types, spacing's & fixings.

Cladding fixing note:
 Refer to cladding fixing layout for all fixing types & spacing's



Note: Drained joints must be used to limit cavities to maximum 2 stories or 7m in height in accordance with NZBC acceptable solution E2/AS1 Paragraph 9.1.9.4

PROFILE **BGC Stratum™ Contour**

DATE **Feb 2014**

DETAIL **Interstorey Drainage Detail
 Cavity Construction**

SCALE **1:5 @ A4**

DETAIL NO. **STC-07**