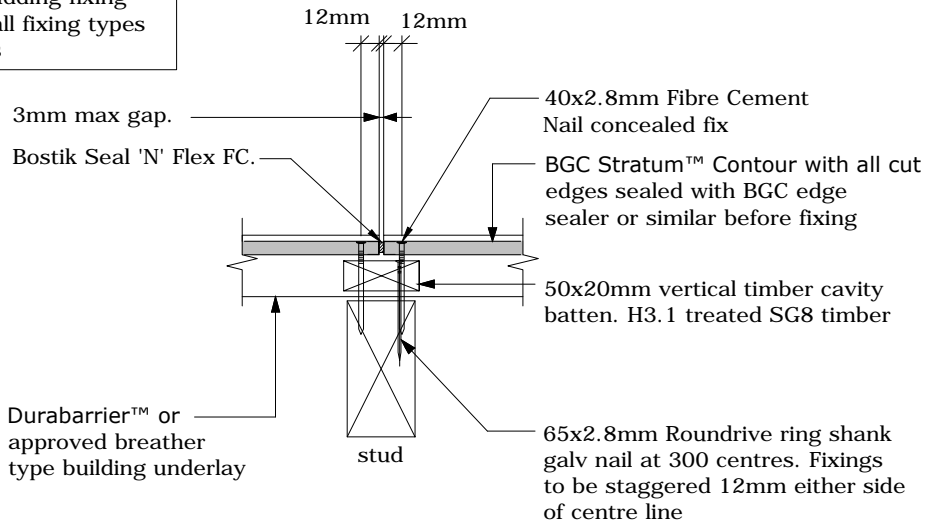




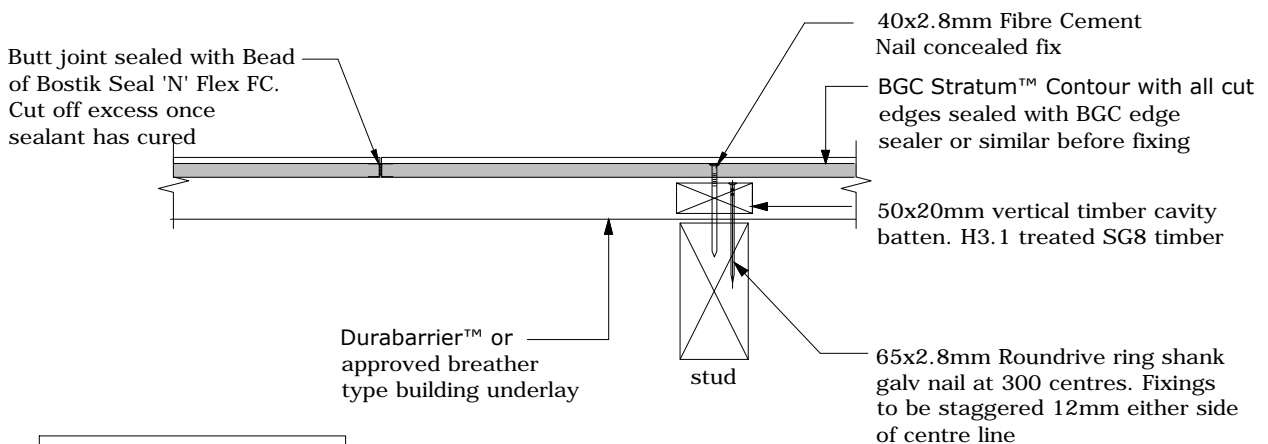
Fibre Cement

Cavity Batten Note:
Refer to cavity batten layout for batten sizes, types, spacing's & fixings

Cladding fixing note:
Refer to cladding fixing layout for all fixing types & spacing's



Vertical Joint on Stud



Note:
Join Butt joint boards with Bostik Seal n Flex FC. Push hard together and cut off excess once cured.

Vertical Joint off Stud

PROFILE **BGC Stratum™ Contour**

DATE **Feb 2014**

DETAIL **Vertical Joint Cavity Construction**

SCALE **1:5 @ A4**

DETAIL NO. **STC-04**