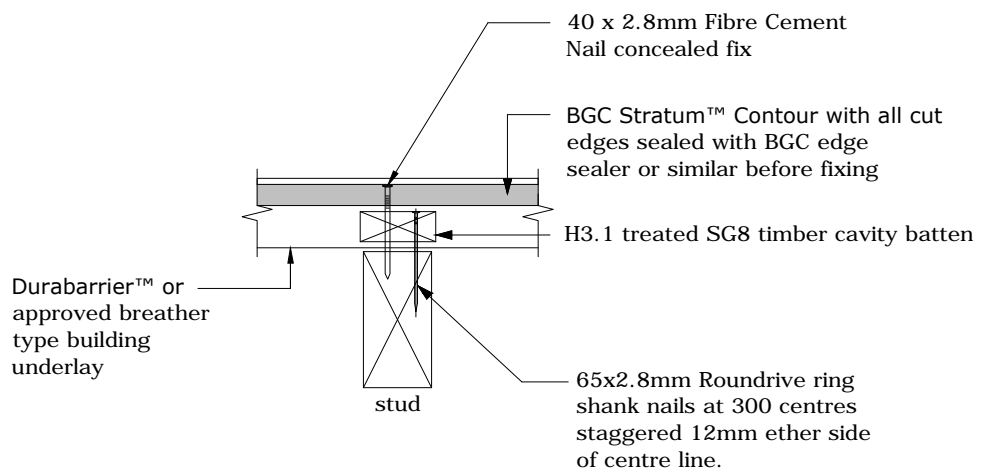




# Fibre Cement

**Cavity Batten Note:**  
 Refer to cavity batten layout for batten sizes, types, spacing's & fixings

**Cladding fixing note:**  
 Refer to cladding fixing layout for all fixing types & spacing's



PROFILE **BGC Stratum™ Contour**

DETAIL **Intermediate Stud Fixing Cavity Construction**

DATE **Feb 2014**

SCALE **1:5 @ A4**

DETAIL NO. **STC-03**