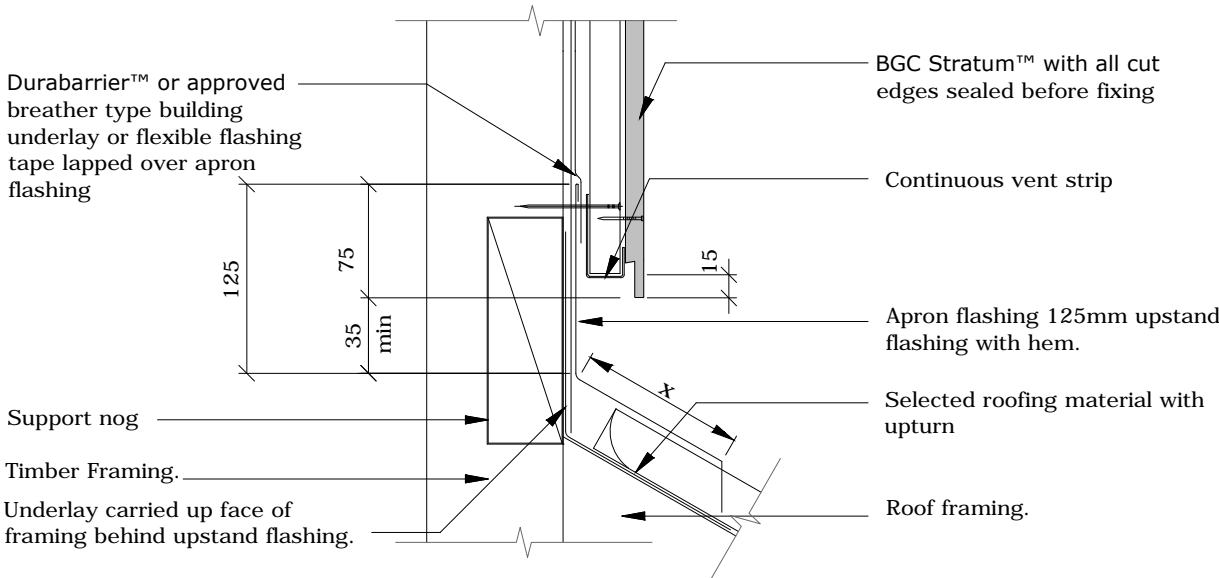




Fibre Cement

Cavity Batten Note:
 Refer to cavity batten layout for batten sizes, types, spacing's & fixings

Cladding fixing note:
 Refer to cladding fixing layout for all fixing types & spacing's



Note:
 x = Refer to NZBC E2 / AS1 Table for flashing cover requirements

PROFILE **BGC Stratum™ and Stratum™ Duo**
 DETAIL **Transverse Apron Flashing Detail
 Cavity Construction**

DATE **Jan 2014**
 SCALE **1:5 @ A4**
 DETAIL NO. **ST-30**