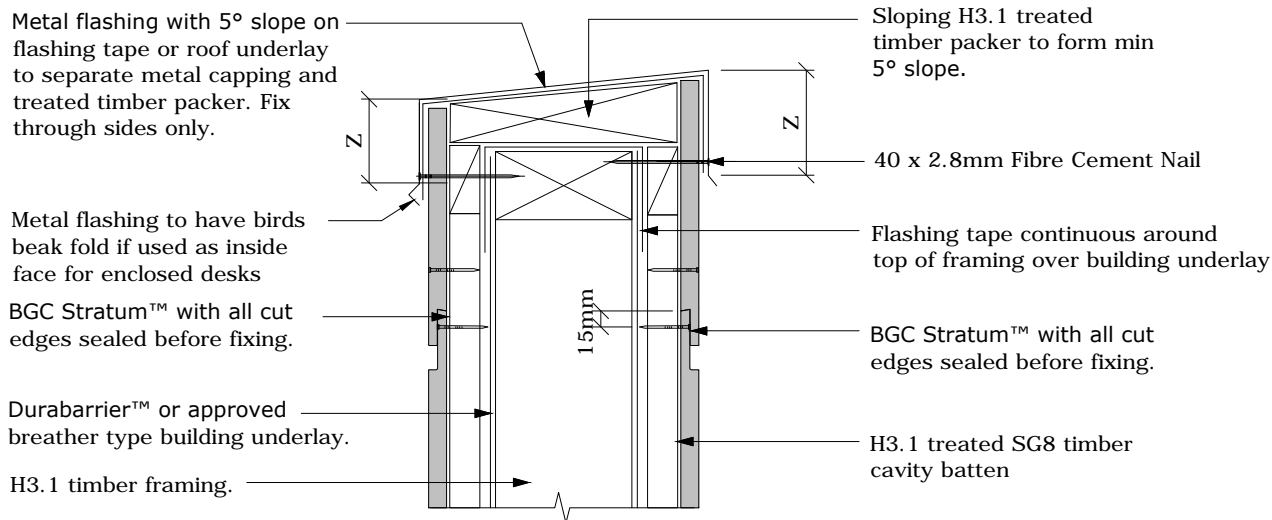




Fibre Cement

Cavity Batten Note:
 Refer to cavity batten layout for batten sizes, types, spacing's & fixings

Cladding fixing note:
 Refer to cladding fixing layout for all fixing types & spacing's



Note:
 Z = Refer to NZBC E2 / AS1 Table 7 for flashing cover requirements

PROFILE **BGC Stratum™ and Stratum™ Duo**

DETAIL **Enclosed Balustrade/Parapet Detail
 Cavity Construction**

DATE **Jan 2014**

SCALE **1:5 @ A4**

DETAIL NO. **ST-26**