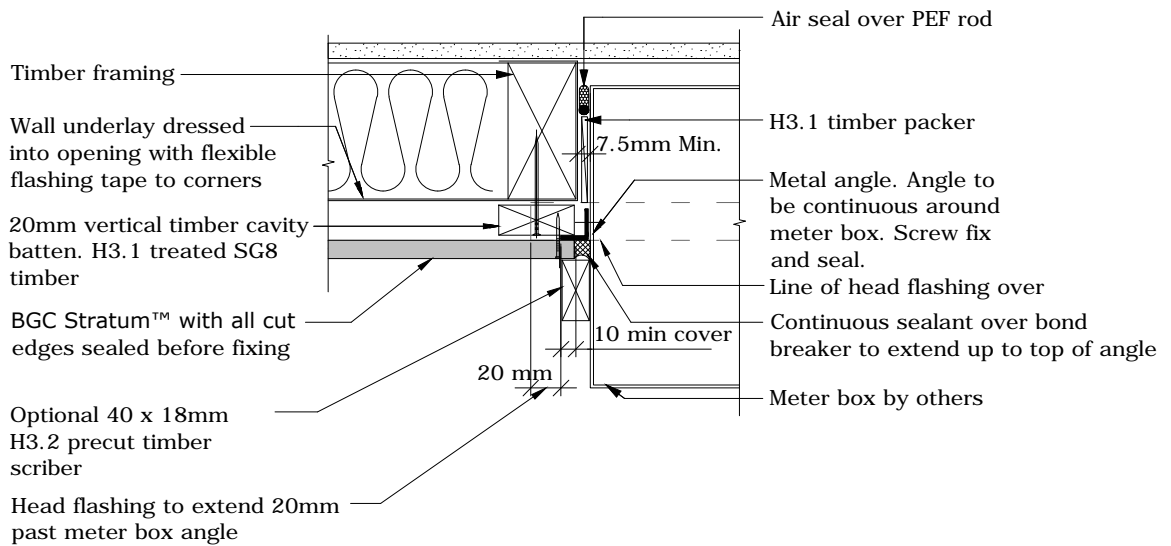


Cavity Batten Note:

Refer to cavity batten layout for batten sizes, types, spacing's & fixings

Cladding fixing note:

Refer to cladding fixing layout for all fixing types & spacing's



Note. Where Durabarrier™ is used flashing tape must be applied to the entire opening

PROFILE BGC Stratum™ and Stratum™ Duo

DATE Jan 2014

DETAIL Meter Box Jamb Detail
Cavity Construction

SCALE 1:5 @ A4

DETAIL NO. ST-23