



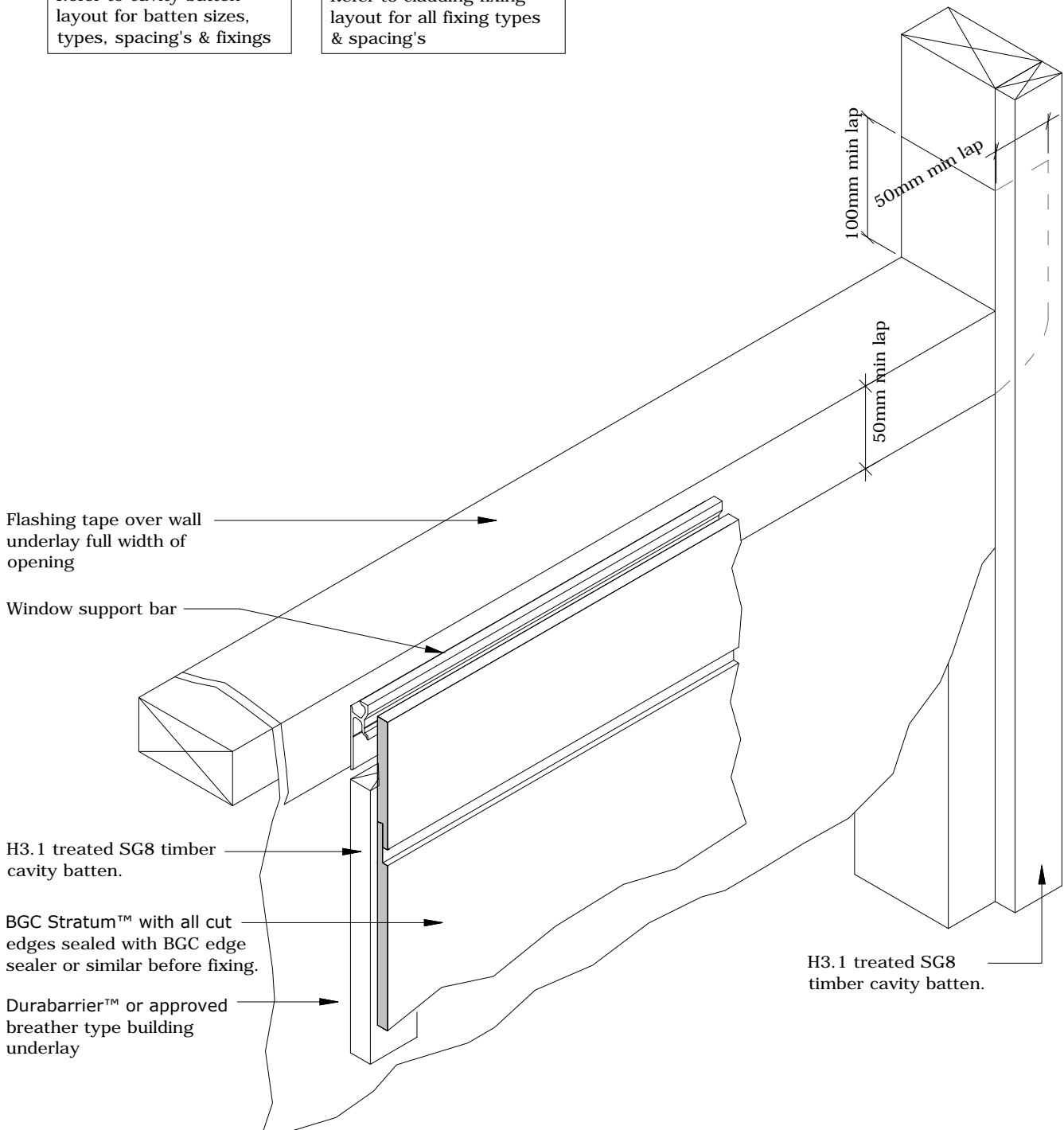
Fibre Cement

Cavity Batten Note:

Refer to cavity batten layout for batten sizes, types, spacing's & fixings

Cladding fixing note:

Refer to cladding fixing layout for all fixing types & spacing's



Note where DurabARRIER™ is used flashing tape must be applied to the entire opening

PROFILE **BGC Stratum™ and Stratum™ Duo**

DETAIL **Window Sill/Jamb Junction Detail
Cavity Construction**

DATE **Jan 2014**

SCALE **1:5 @ A4**

DETAIL NO. **ST-19**