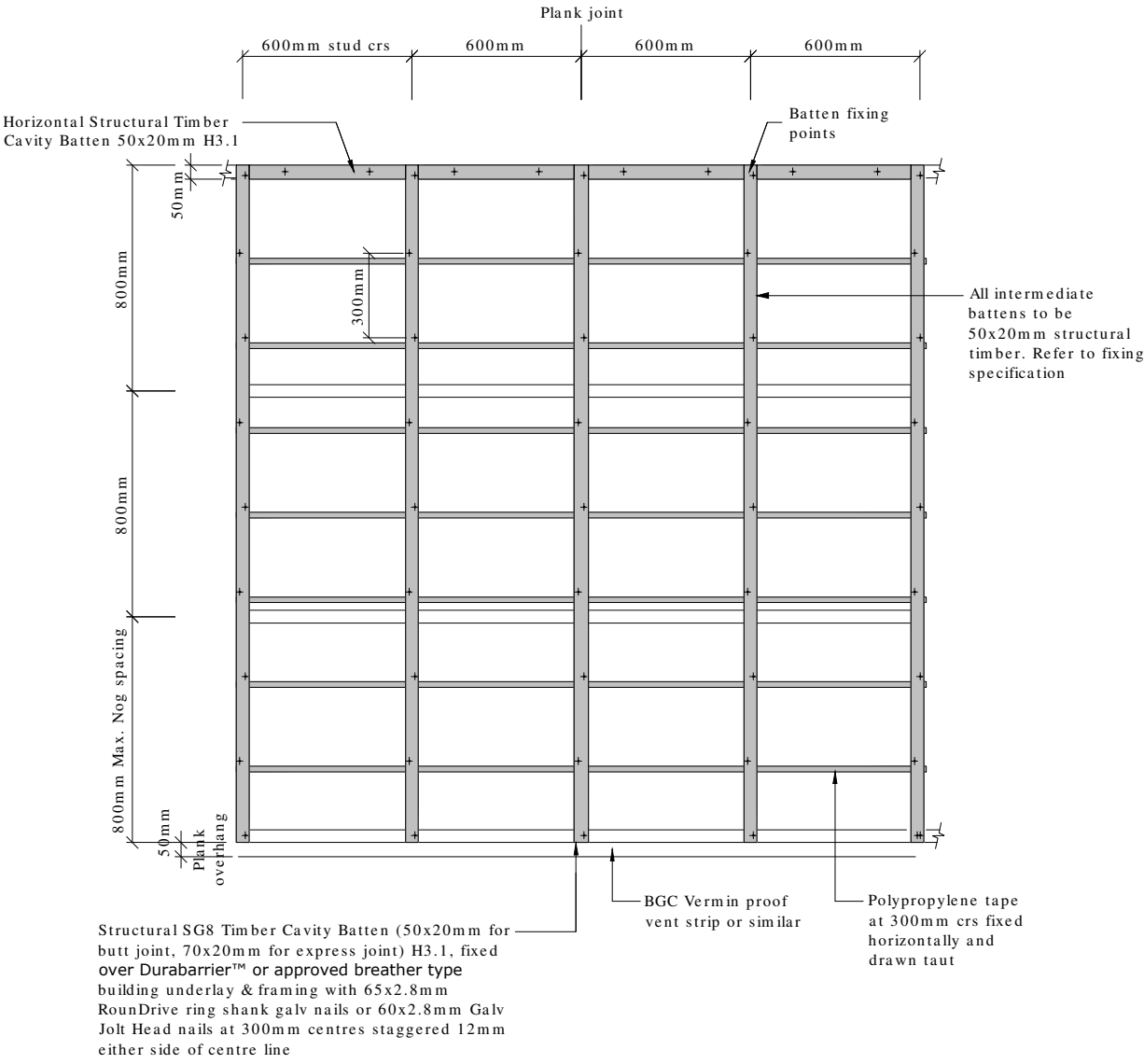




# Fibre Cement



BGC Stratum™ Batten Fixing setout

Note:  
No horizontal Structural timber Cavity battens required at nogs

PROFILE    **BGC Stratum™ and Stratum™ Duo**

DETAIL     **Batten Fixing Setout**

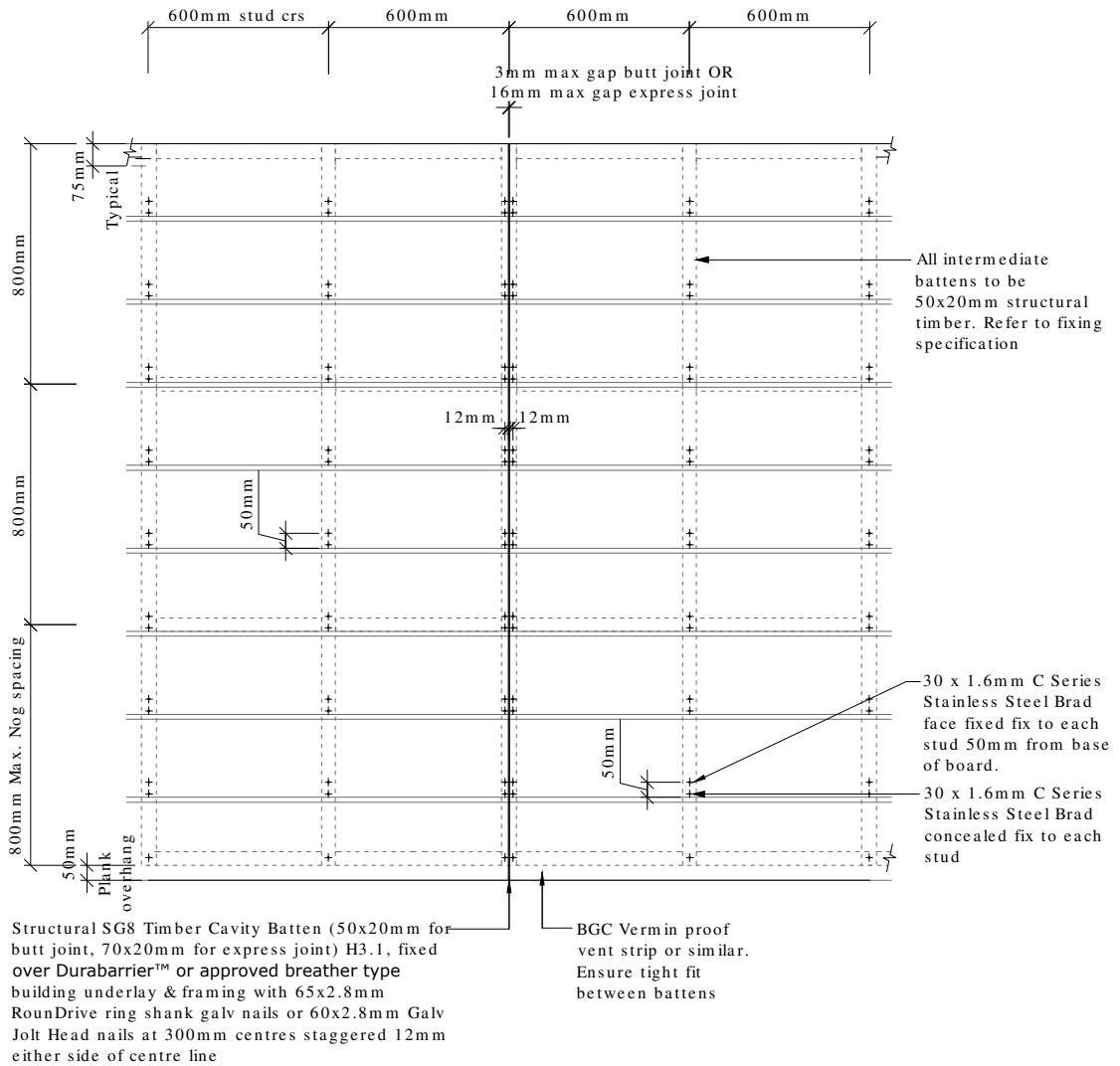
DATE        Jan 2014

SCALE       1:25 @ A4

DETAIL NO. **ST-01**

# BGC

# Fibre Cement



BGC Stratum™ Fixing setout

Note:  
Polypropylene tape omitted for clarity

Stratum Fixing options:  
30 x 1.6mm C Series Stainless steel brad

PROFILE BGC Stratum™ and Stratum™ Duo

DATE Jan 2014  
SCALE 1:25 @ A4

DETAIL Stratum™ Fixing Setout

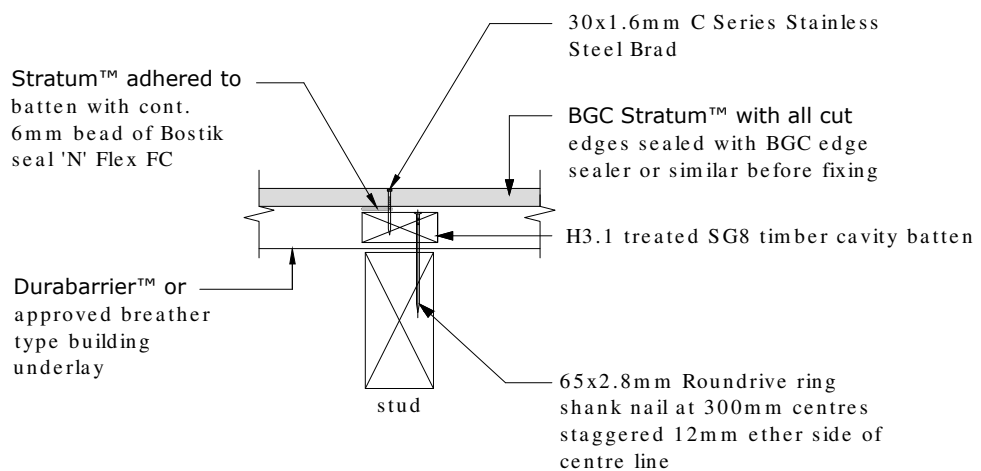
DETAIL NO. ST-02

**BGC****Fibre Cement****Cavity Batten Note:**

Refer to cavity batten layout for batten sizes, types, spacing's & fixings

**Cladding fixing note:**

Refer to cladding fixing layout for all fixing types & spacing's

PROFILE **BGC Stratum™ and Stratum™ Duo**

DATE Jan 2014

DETAIL **Intermediate Stud Fixing Cavity Construction**

SCALE 1:5 @ A4

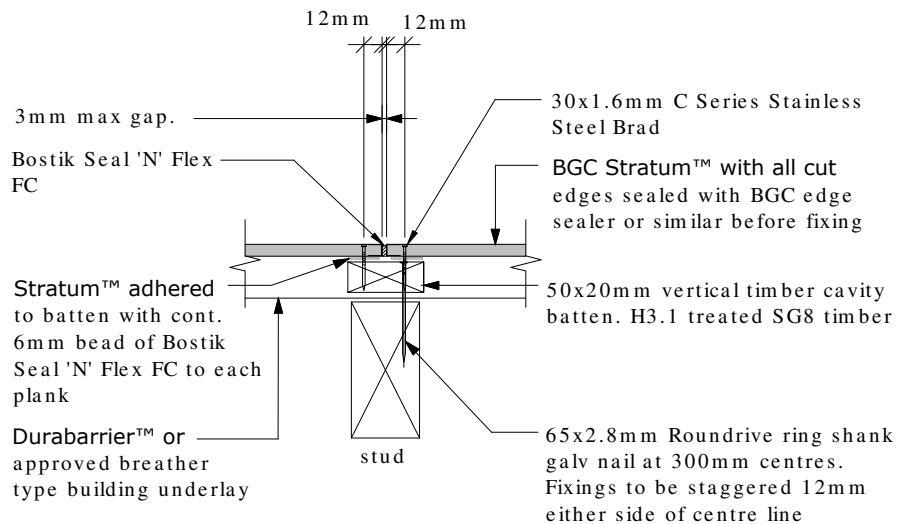
DETAIL NO. **ST-03**

**BGC****Fibre Cement****Cavity Batten Note:**

Refer to cavity batten layout for batten sizes, types, spacing's & fixings

**Cladding fixing note:**

Refer to cladding fixing layout for all fixing types & spacing's

PROFILE **BGC Stratum™ and Stratum™ Duo**

DATE Jan 2014

DETAIL **Vertical Joint Cavity Construction**

SCALE 1:5 @ A4

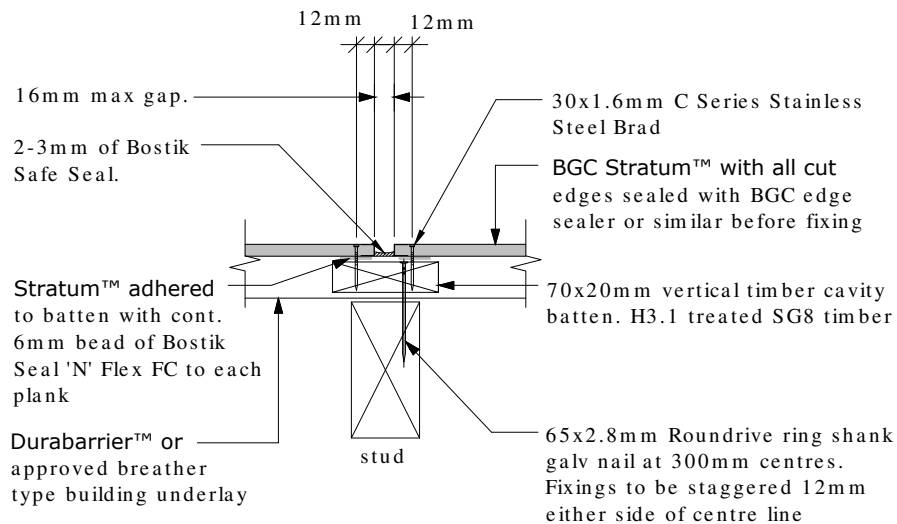
DETAIL NO. **ST-04**

**BGC****Fibre Cement****Cavity Batten Note:**

Refer to cavity batten layout for batten sizes, types, spacing's & fixings

**Cladding fixing note:**

Refer to cladding fixing layout for all fixing types & spacing's



PROFILE **BGC Stratum™ and Stratum™ Duo**

DATE Jan 2014

DETAIL **Alternative Express Vertical Joint Cavity Construction**

SCALE 1:5 @ A4

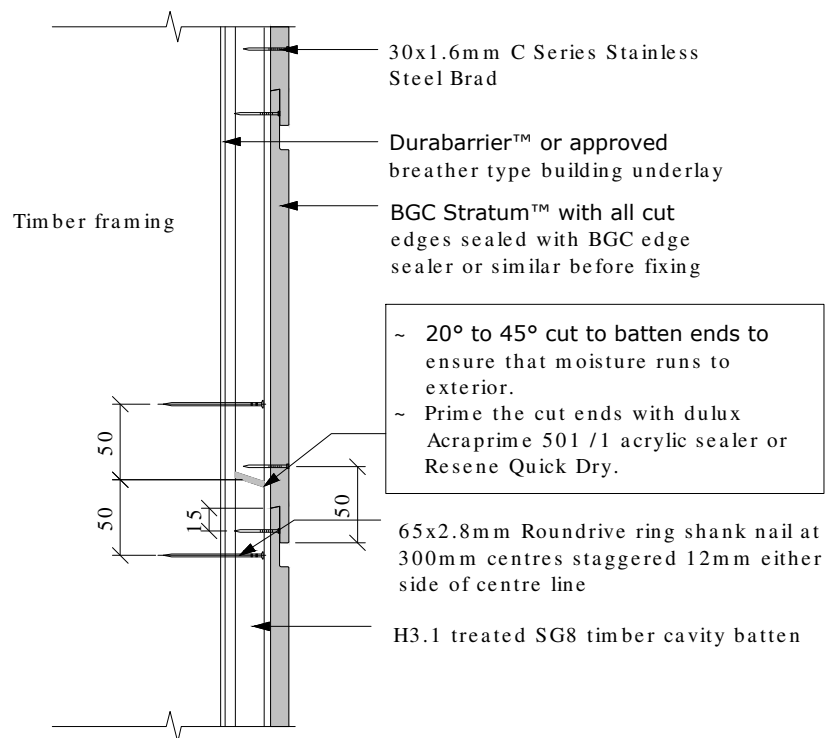
DETAIL NO. **ST-05**

**BGC****Fibre Cement****Cavity Batten Note:**

Refer to cavity batten layout for batten sizes, types, spacing's & fixings

**Cladding fixing note:**

Refer to cladding fixing layout for all fixing types & spacing's



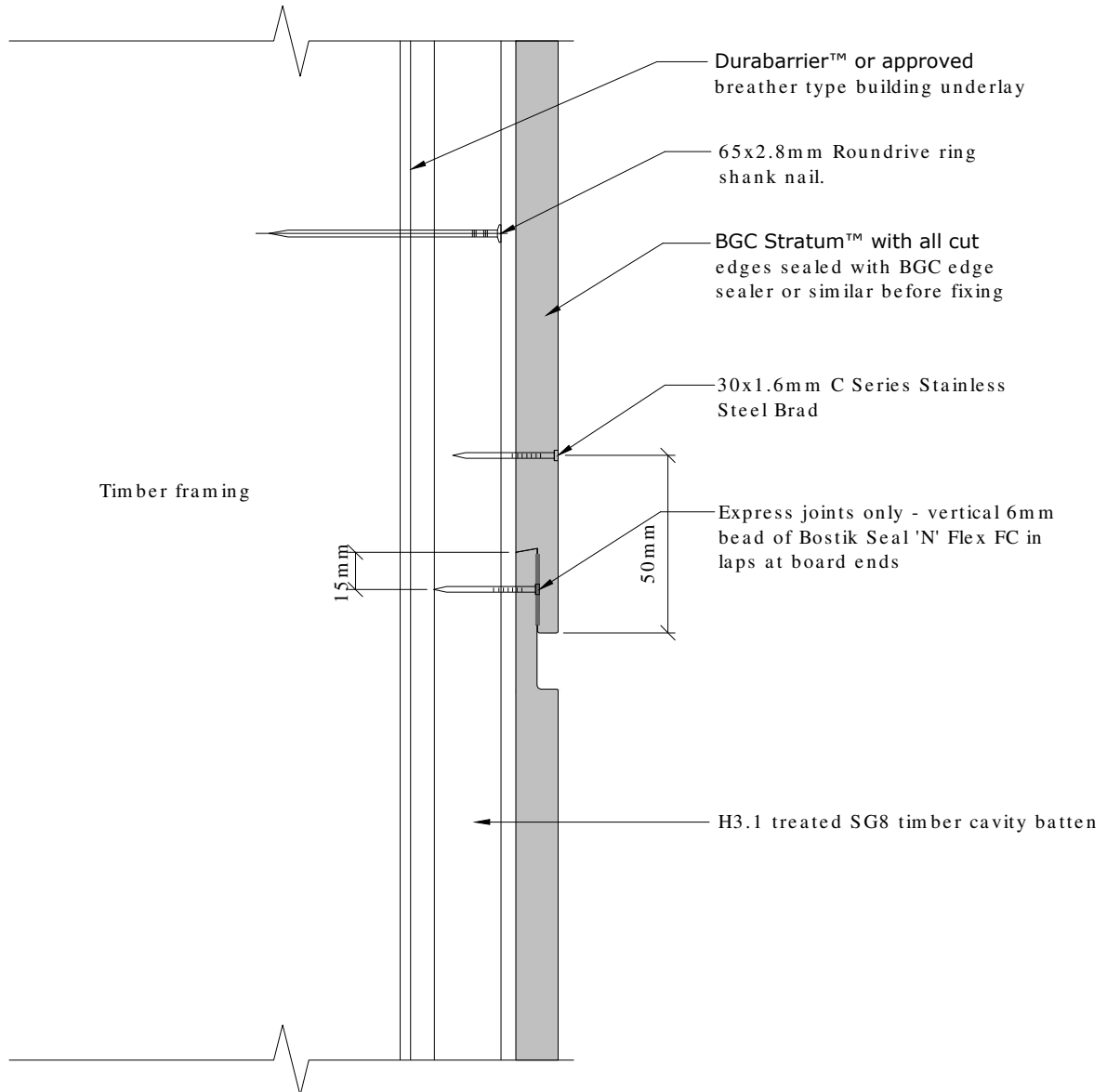
PROFILE **BGC Stratum™ and Stratum™ Duo**

DATE Jan 2014

DETAIL **Joining of Structural Cavity Batten**

SCALE 1:5 @ A4

DETAIL NO. **ST-06**

**BGC****Fibre Cement****Cavity Batten Note:**

Refer to cavity batten layout for batten sizes, types, spacing's & fixings.

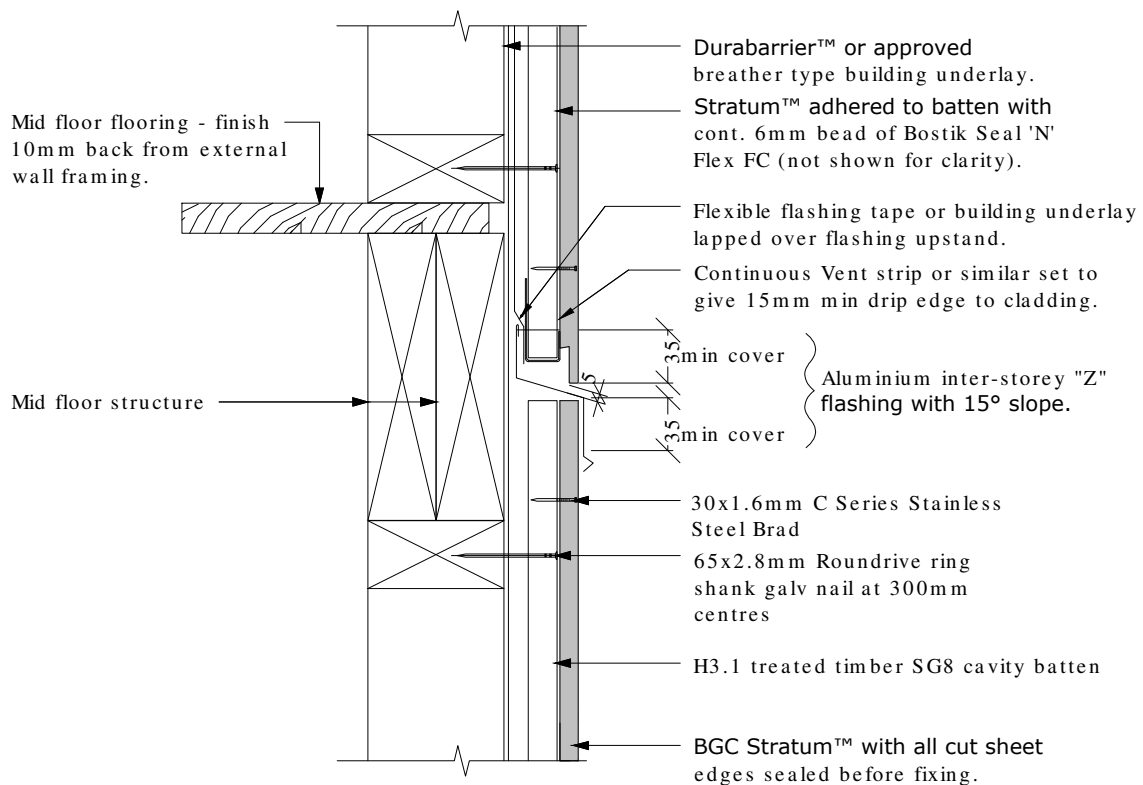
PROFILE **BGC Stratum™ and Stratum™ Duo**DATE **Jan 2014**DETAIL **Horizontal Joint**SCALE **1:2 @ A4**DETAIL NO. **ST-07**

**BGC****Fibre Cement****Cavity Batten Note:**

Refer to cavity batten layout for batten sizes, types, spacing's & fixings.

**Cladding fixing note:**

Refer to cladding fixing layout for all fixing types & spacing's



Note: Drained joints must be used to limit cavities to maximum 2 stories or 7m in height in accordance with NZBC acceptable solution E2/AS1 Paragraph 9.1.9.4

PROFILE **BGC Stratum™ and Stratum™ Duo**

DATE Jan 2014

DETAIL **Interstorey Drainage Detail  
Cavity Construction**

SCALE 1:5 @ A4

DETAIL NO. **ST-08**





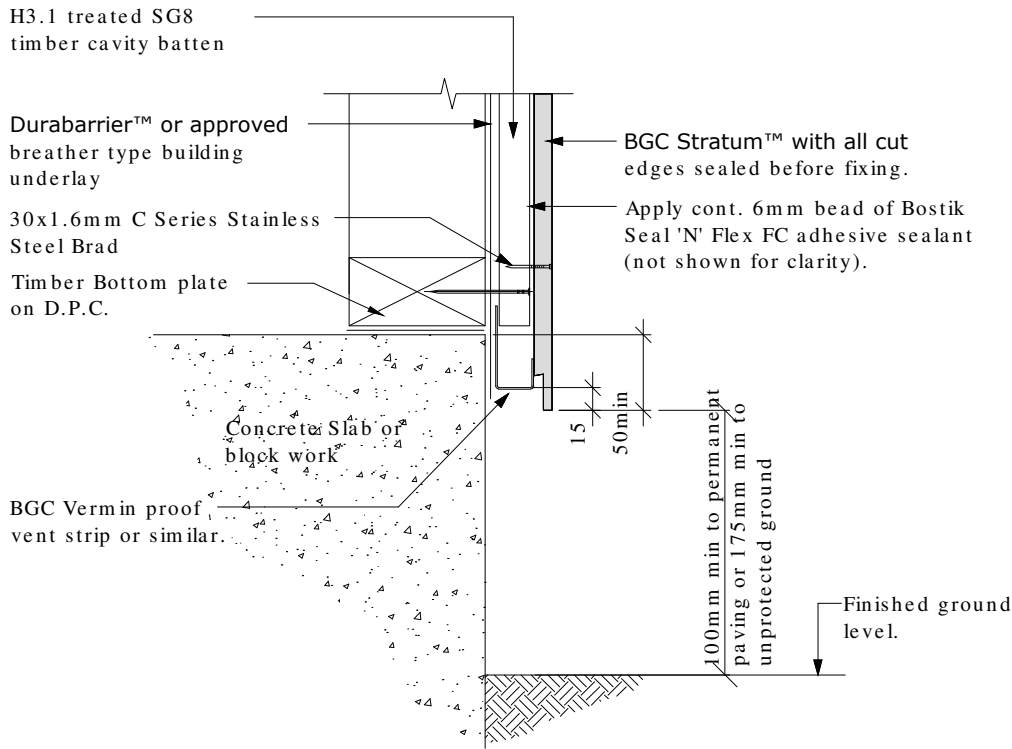
# Fibre Cement

**Cavity Batten Note:**

Refer to cavity batten layout for batten sizes, types, spacing's & fixings

**Cladding fixing note:**

Refer to cladding fixing layout for all fixing types & spacing's



PROFILE BGC Stratum™ and Stratum™ Duo

DATE Jan 2014

DETAIL Foundation Detail  
Cavity Construction

SCALE 1:5 @ A4

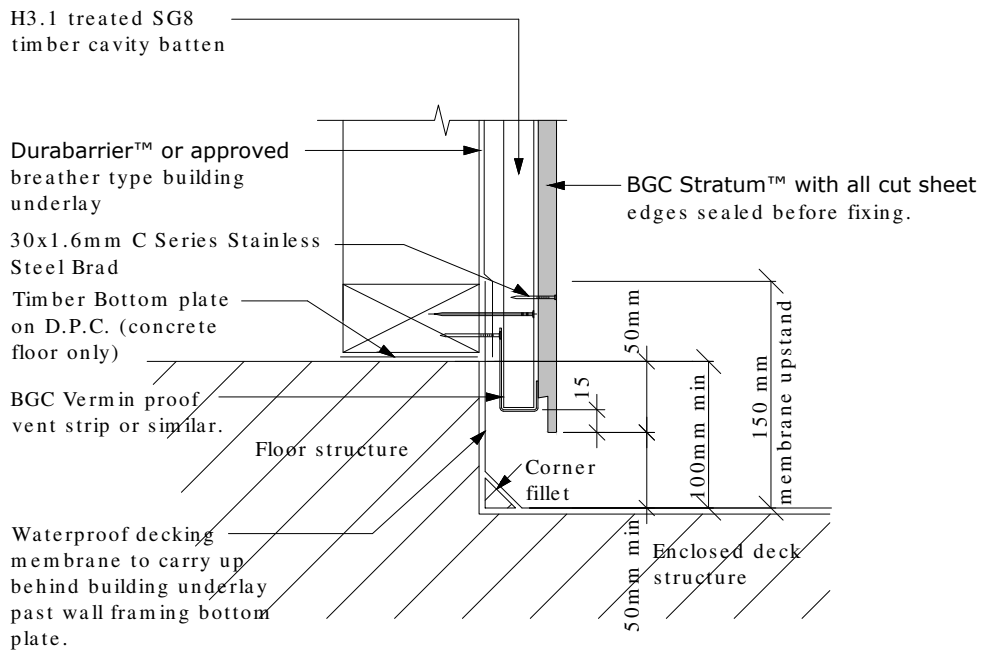
DETAIL NO. ST-09

**BGC****Fibre Cement****Cavity Batten Note:**

Refer to cavity batten layout for batten sizes, types, spacing's & fixings.

**Cladding fixing note:**

Refer to cladding fixing layout for all fixing types & spacing's

PROFILE **BGC Stratum™ and Stratum™ Duo**

DATE Jan 2014

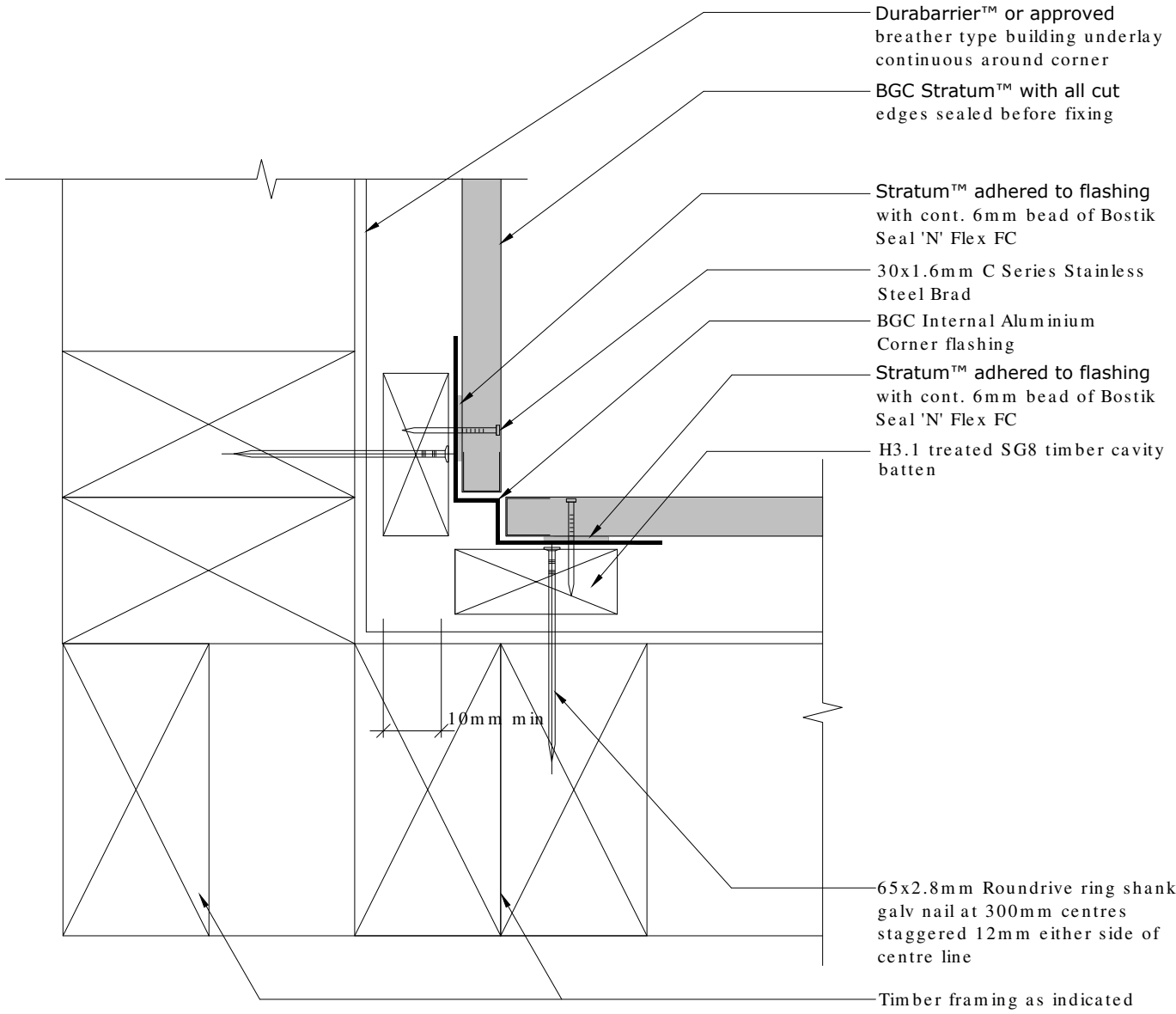
DETAIL **Enclosed Deck Detail  
Cavity Construction**

SCALE 1:5 @ A4

DETAIL NO. **ST-10**



# Fibre Cement

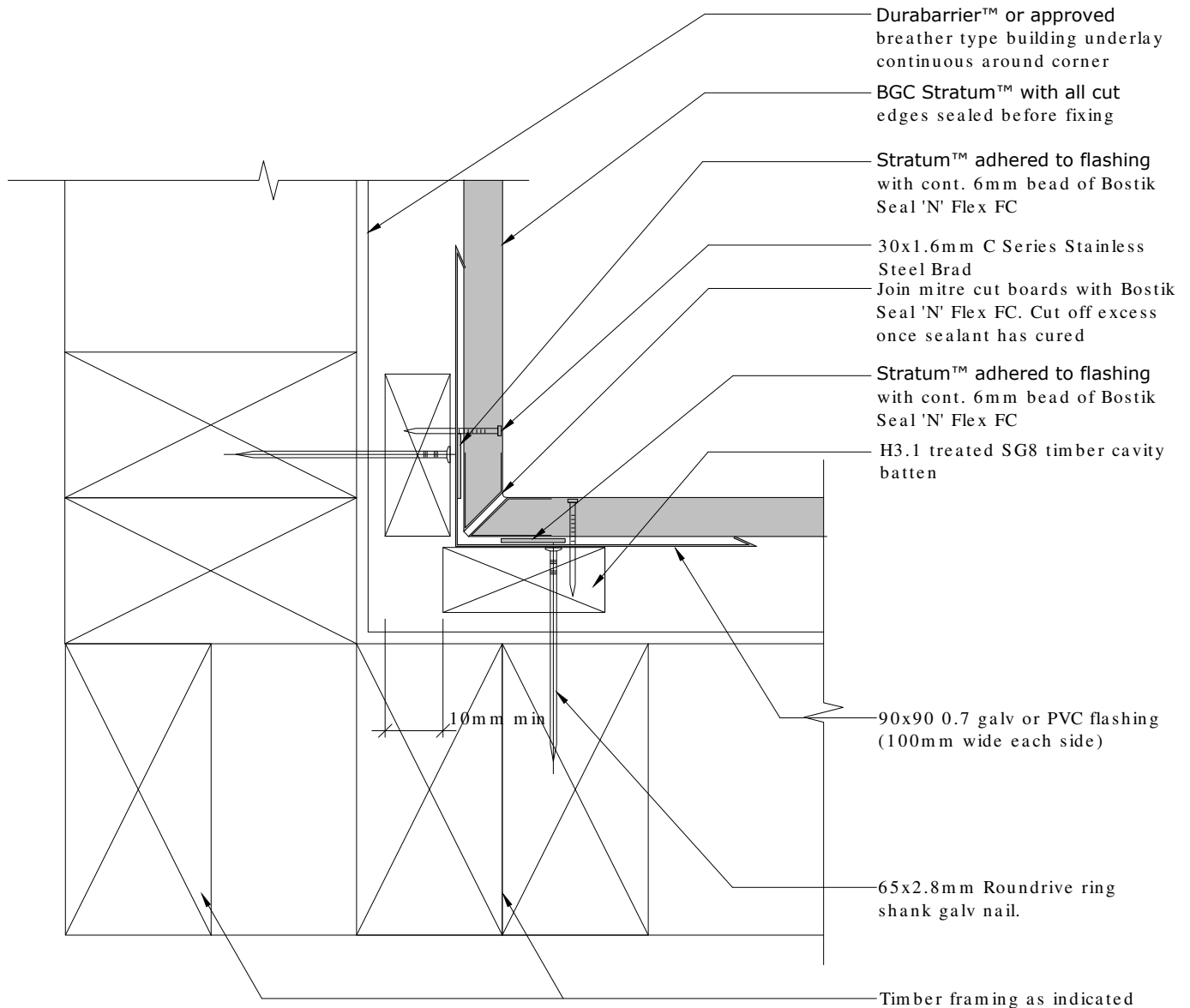


- Durabarrier™ or approved breather type building underlay continuous around corner
- BGC Stratum™ with all cut edges sealed before fixing
- Stratum™ adhered to flashing with cont. 6mm bead of Bostik Seal 'N' Flex FC
- 30x1.6mm C Series Stainless Steel Brad
- BGC Internal Aluminium Corner flashing
- Stratum™ adhered to flashing with cont. 6mm bead of Bostik Seal 'N' Flex FC
- H3.1 treated SG8 timber cavity batten
- 65x2.8mm Roundrive ring shank galv nail at 300mm centres staggered 12mm either side of centre line
- Timber framing as indicated

**Cavity Batten Note:**  
Refer to cavity batten layout for batten sizes, types, spacing's & fixings.

PROFILE **BGC Stratum™ and Stratum™ Duo**  
DETAIL **Internal Corner Aluminium Trim Cavity Construction**

DATE **Jan 2014**  
SCALE **1:2 @ A4**  
DETAIL NO. **ST-11**

**BGC****Fibre Cement****Note:**

Join mitre cut boards with Bostik Seal n Flex FC. Push hard together and cut off excess once cured

**Cavity Batten Note:**

Refer to cavity batten layout for batten sizes, types, spacing's & fixings.

PROFILE **BGC Stratum™ and Stratum™ Duo**

DATE Jan 2014

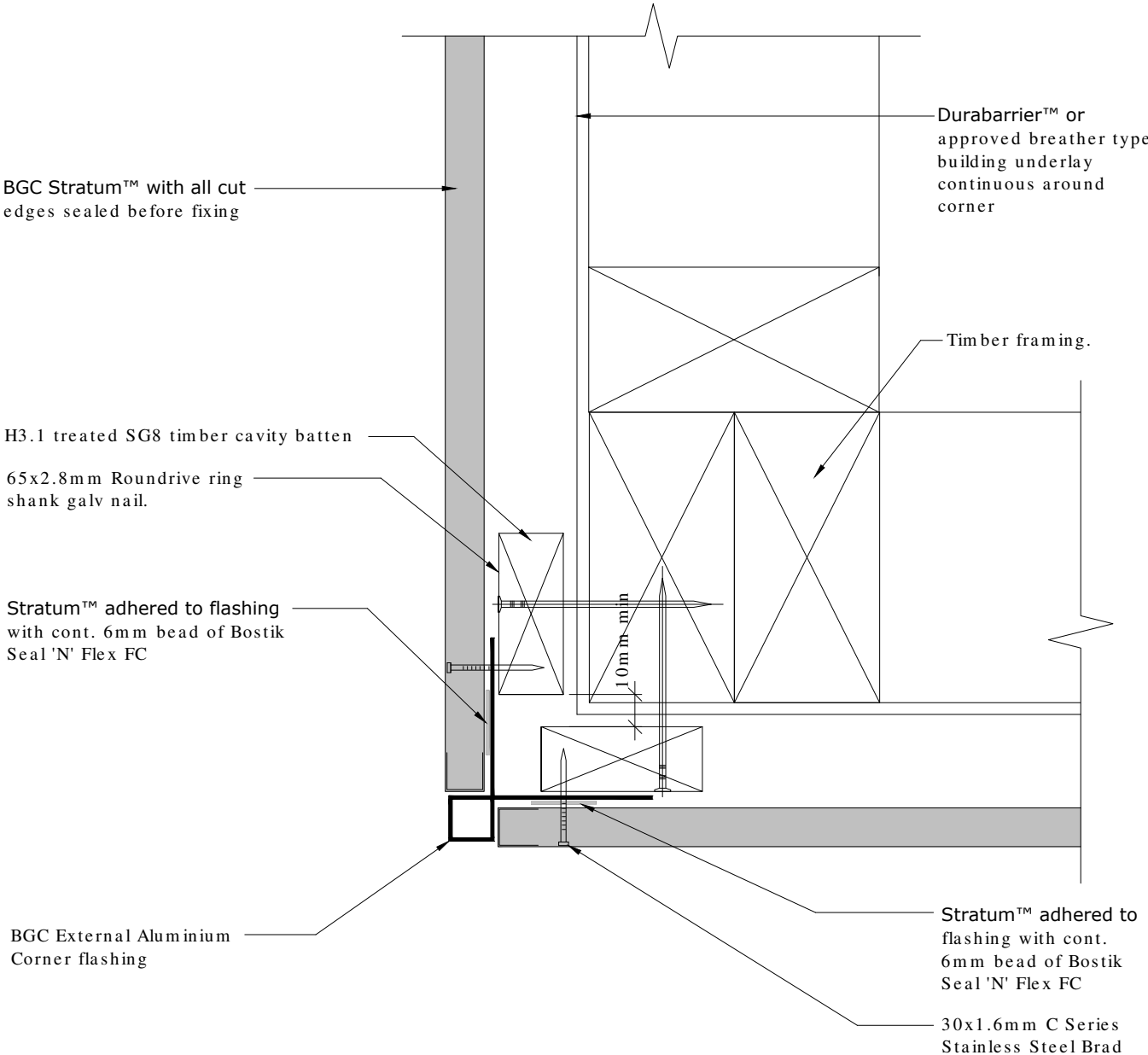
DETAIL **Internal Corner Mitre Cavity Construction**

SCALE 1:2 @ A4

DETAIL NO. **ST-12**



# Fibre Cement



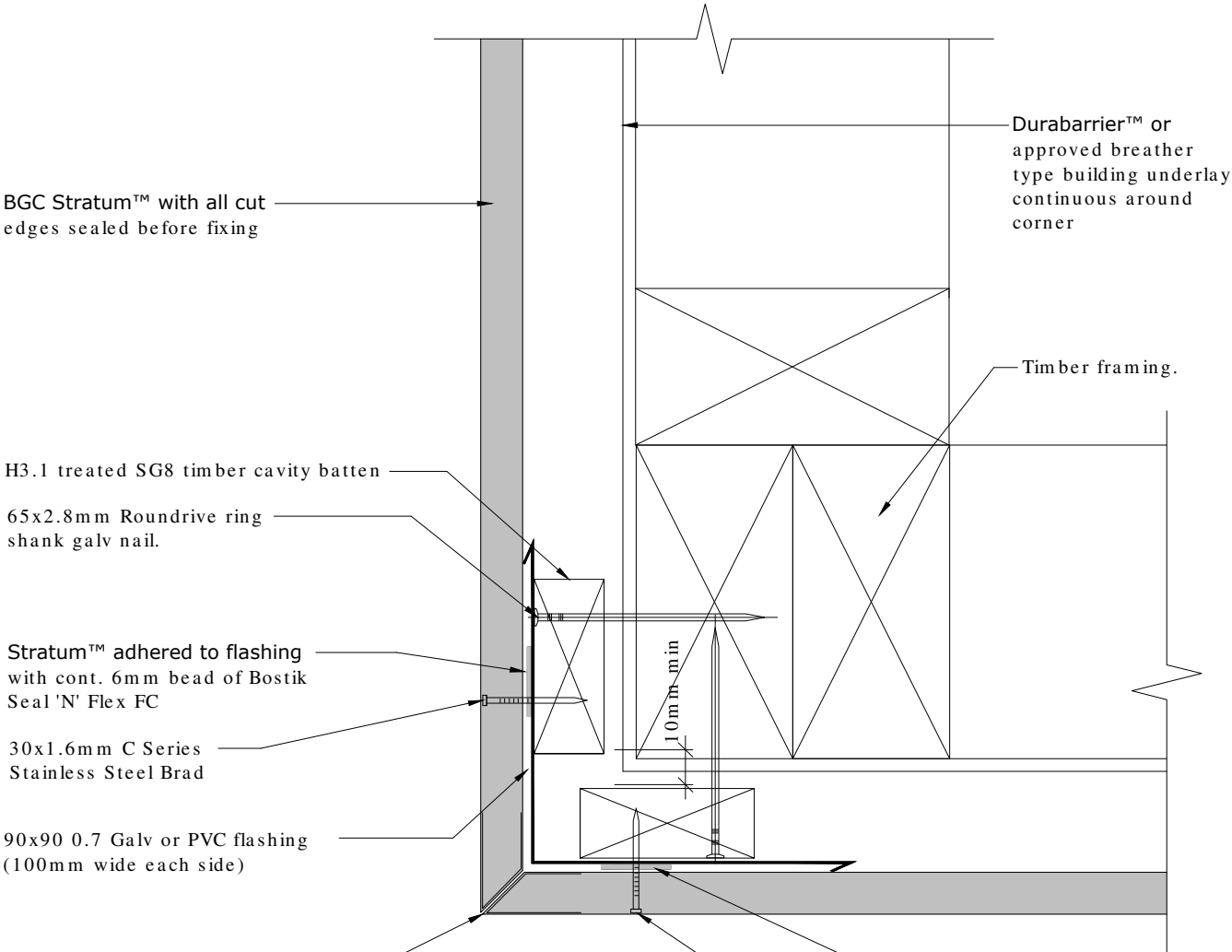
**Cavity Batten Note:**  
 Refer to cavity batten layout for batten sizes, types, spacing's & fixings.

PROFILE **BGC Stratum™ and Stratum™ Duo**  
 DETAIL **External Corner Aluminium Trim Cavity Construction**

DATE **Jan 2014**  
 SCALE **1:2 @ A4**  
 DETAIL NO. **ST-13**



# Fibre Cement



BGC Stratum™ with all cut edges sealed before fixing

Durabarrier™ or approved breather type building underlay continuous around corner

Timber framing.

H3.1 treated SG8 timber cavity batten  
65x2.8mm Rounddrive ring shank galv nail.

Stratum™ adhered to flashing with cont. 6mm bead of Bostik Seal 'N' Flex FC

10mm min

30x1.6mm C Series Stainless Steel Brad

90x90 0.7 Galv or PVC flashing (100mm wide each side)

Join mitre cut boards with Bostik Seal 'N' Flex FC. Cut off excess once sealant has cured

Stratum™ adhered to flashing with cont. 6mm bead of Bostik Seal 'N' Flex FC

30x1.6mm C Series Stainless Steel Brad

**Note:**  
Join mitre cut boards with Bostik Seal n Flex FC. Push hard together and cut off excess once cured

**Cavity Batten Note:**  
Refer to cavity batten layout for batten sizes, types, spacing's & fixings.

PROFILE **BGC Stratum™ and Stratum™ Duo**  
DETAIL **External Corner Mitre Cavity Construction**

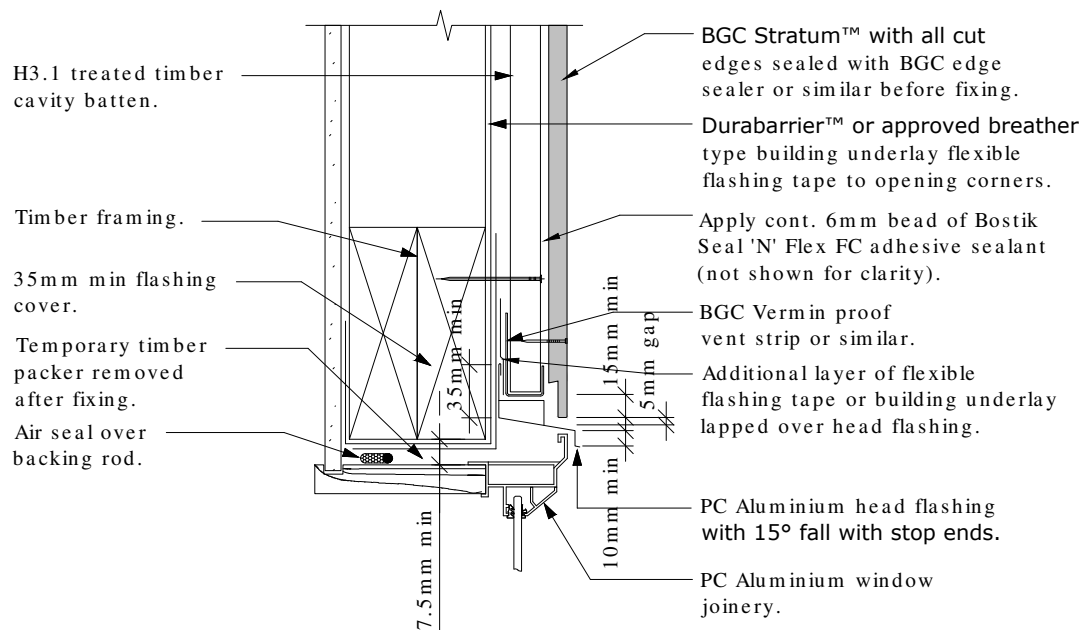
DATE **Jan 2014**  
SCALE **1:2 @ A4**  
DETAIL NO. **ST-14**

**BGC****Fibre Cement****Cavity Batten Note:**

Refer to cavity batten layout for batten sizes, types, spacing's & fixings

**Cladding fixing note:**

Refer to cladding fixing layout for all fixing types & spacing's



Note where Durabarrier™ is used flashing tape must be applied to the entire opening

For wind exposures Very High and above, sealant to be installed between underside of head flashing and top edge of window head flange

PROFILE **BGC Stratum™ and Stratum™ Duo**

DATE Jan 2014

DETAIL **Window Head Detail  
Cavity Construction**

SCALE 1:5 @ A4

DETAIL NO. **ST-15**

**Cavity Batten Note:**

Refer to cavity batten layout for batten sizes, types, spacing's & fixings

**Cladding fixing note:**

Refer to cladding fixing layout for all fixing types & spacing's

Durabarrier™ or building underlay and flexible flashing tape. Flexible flashing tape to be continuous along sill, 100mm min. up each jamb and 50mm onto face of building underlay.

Timber framing.  
Durabarrier™ or approved breather type building underlay

BGC Stratum™ with all cut sheet edges sealed before fixing.

Stratum™ adhered to batten with cont. 6mm bead of Bostik Seal 'N' Flex FC (not shown for clarity).

Foam seal tightly finished against J flashing

Air seal over backing rod.

H3.1 timber packer.

7.5mm Min.

H3.1 treated timber cavity batten

Aluminium window joinery.

BGC J flashing

Line of head flashing over.

20mm  
10mm min  
Cover

10mm Min cover to Stratum™ by aluminium window joinery.

20mm Min overhang of head flashing.

Note. Where Durabarrier™ is used flashing tape must be applied to the entire opening

PROFILE **BGC Stratum™ and Stratum™ Duo**

DATE **Jan 2014**

DETAIL **Window Jamb Detail  
Cavity Construction**

SCALE **1:5 @ A4**

DETAIL NO. **ST-16**

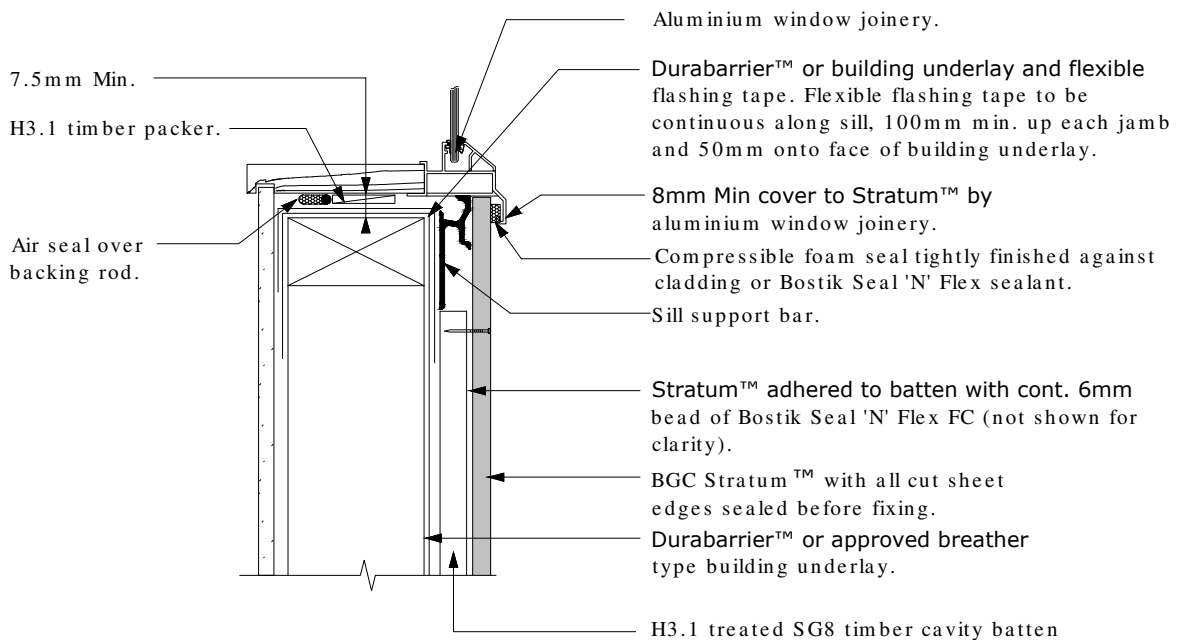


**Cavity Batten Note:**

Refer to cavity batten layout for batten sizes, types, spacing's & fixings

**Cladding fixing note:**

Refer to cladding fixing layout for all fixing types & spacing's



Note. Where Durabarrier™ is used flashing tape must be applied to the entire opening

PROFILE **BGC Stratum™ and Stratum™ Duo**

DATE **Jan 2014**

DETAIL **Window Sill Detail  
Cavity Construction**

SCALE **1:5 @ A4**

DETAIL NO. **ST-17**

**BGC****Fibre Cement****Cavity Batten Note:**

Refer to cavity batten layout for batten sizes, types, spacing's & fixings

**Cladding fixing note:**

Refer to cladding fixing layout for all fixing types & spacing's

Fold ends of head flashing to form stop ends

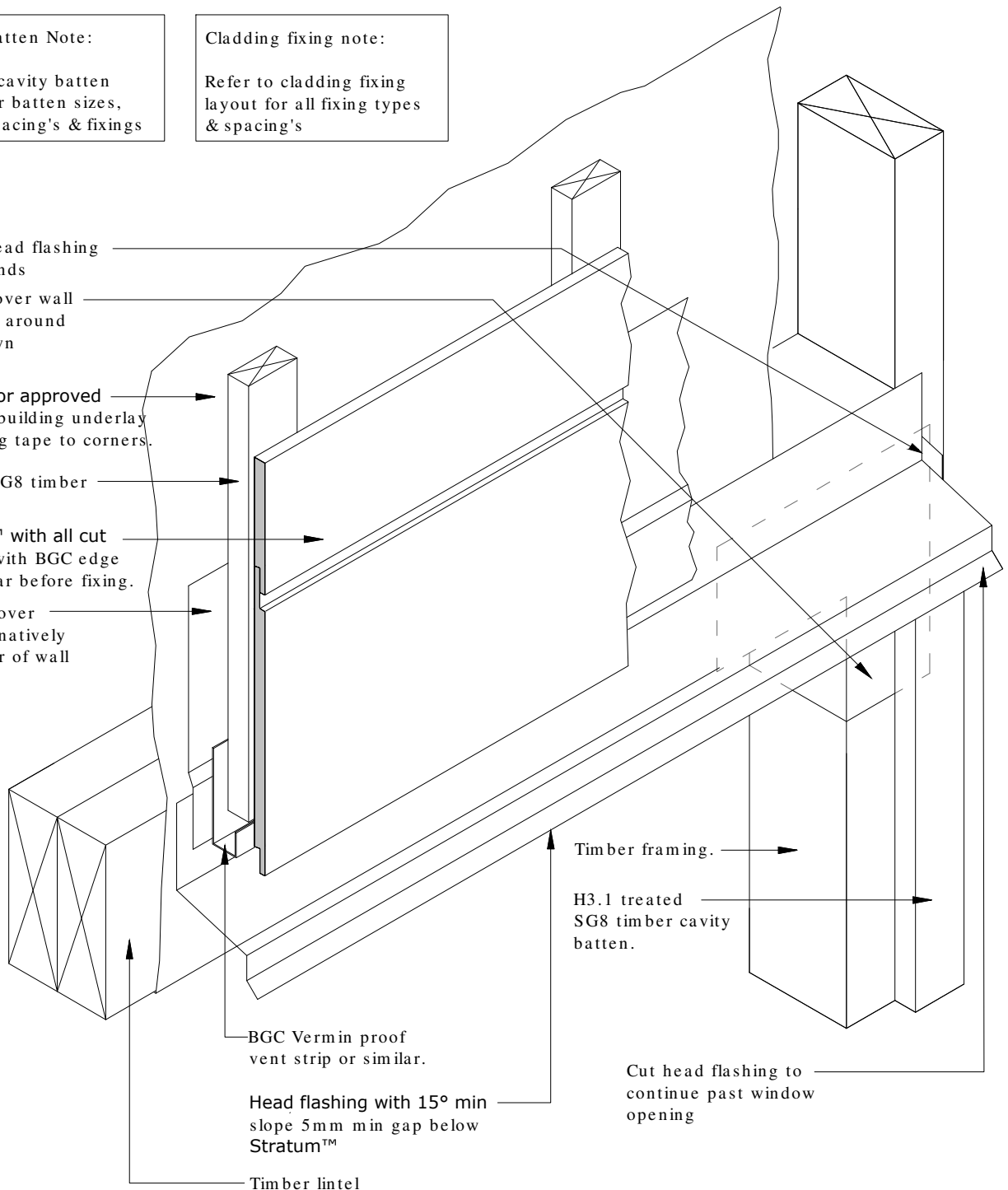
Flashing tape over wall underlay fitted around corner as shown

Durabarrier™ or approved breather type building underlay flexible flashing tape to corners.

H3.1 treated SG8 timber cavity batten.

BGC Stratum™ with all cut edges sealed with BGC edge sealer or similar before fixing.

Flashing tape over flashing (alternatively use extra layer of wall underlay)



Note where Durabarrier™ is used flashing tape must be applied to the entire opening

PROFILE **BGC Stratum™ and Stratum™ Duo**

DATE Jan 2014

DETAIL **Window Head/Jamb Junction Detail  
Cavity Construction**

SCALE 1:5 @ A4

DETAIL NO. **ST-18**



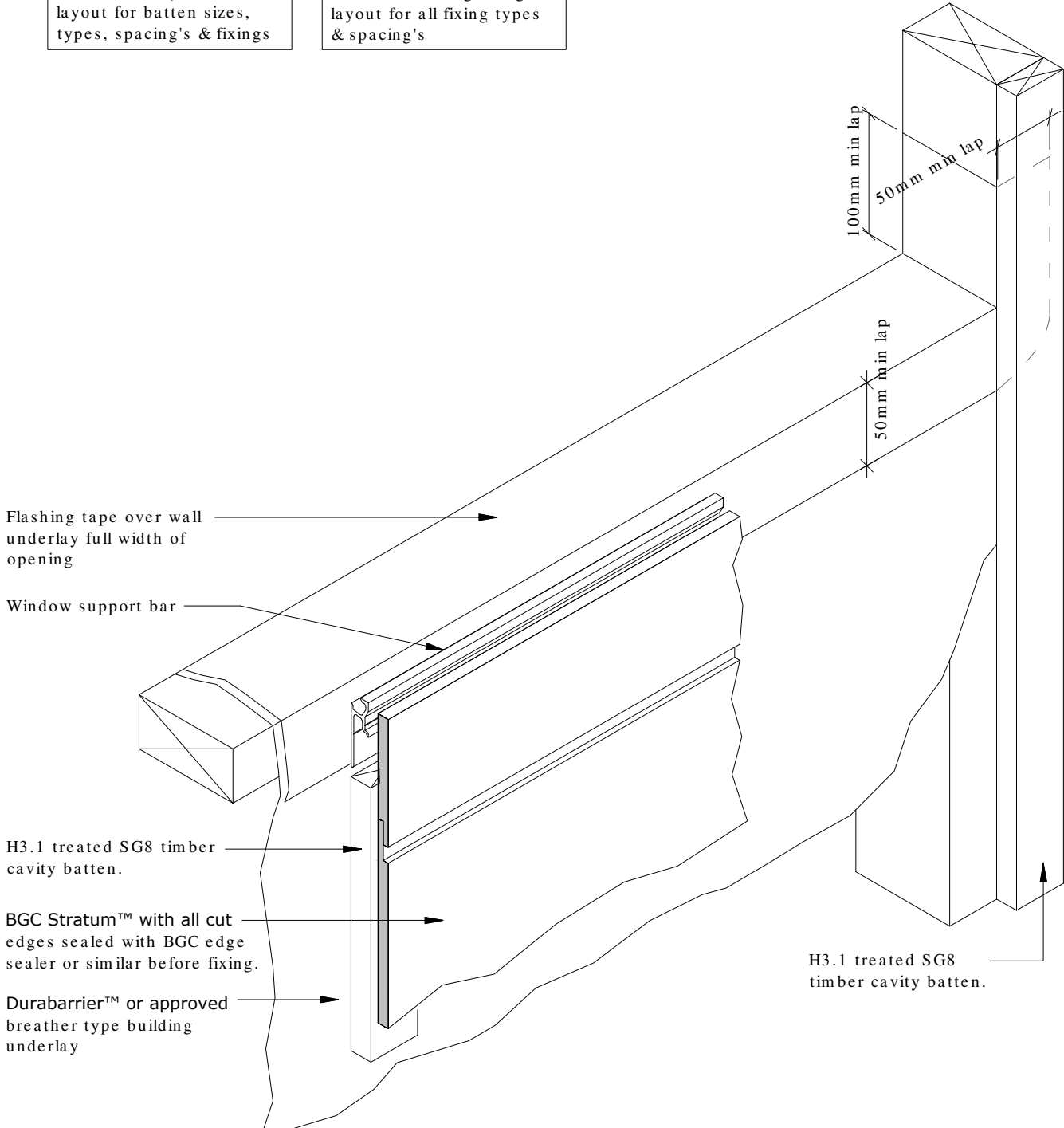
# Fibre Cement

**Cavity Batten Note:**

Refer to cavity batten layout for batten sizes, types, spacing's & fixings

**Cladding fixing note:**

Refer to cladding fixing layout for all fixing types & spacing's



Note where Durabarrier™ is used flashing tape must be applied to the entire opening

PROFILE **BGC Stratum™ and Stratum™ Duo**

DETAIL **Window Sill/Jamb Junction Detail  
Cavity Construction**

DATE **Jan 2014**

SCALE **1:5 @ A4**

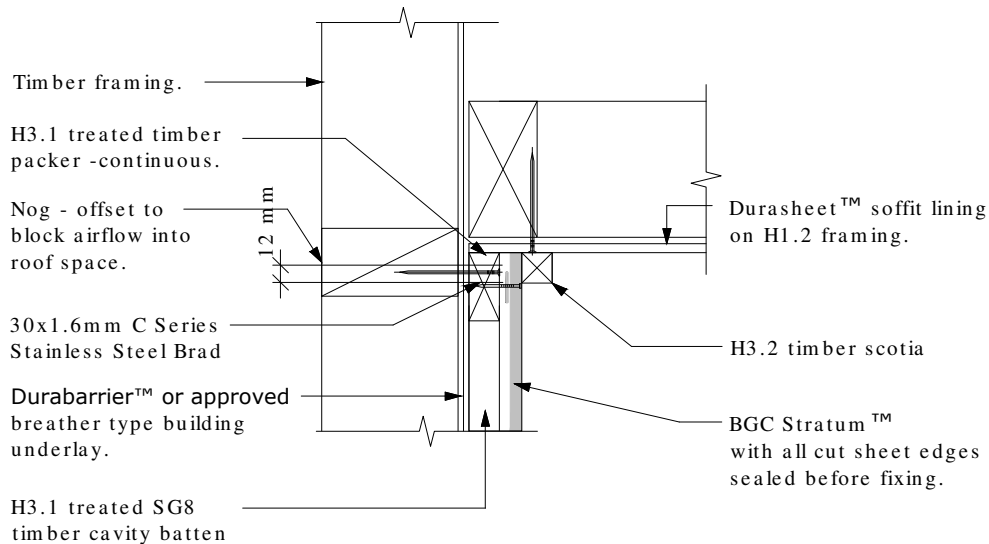
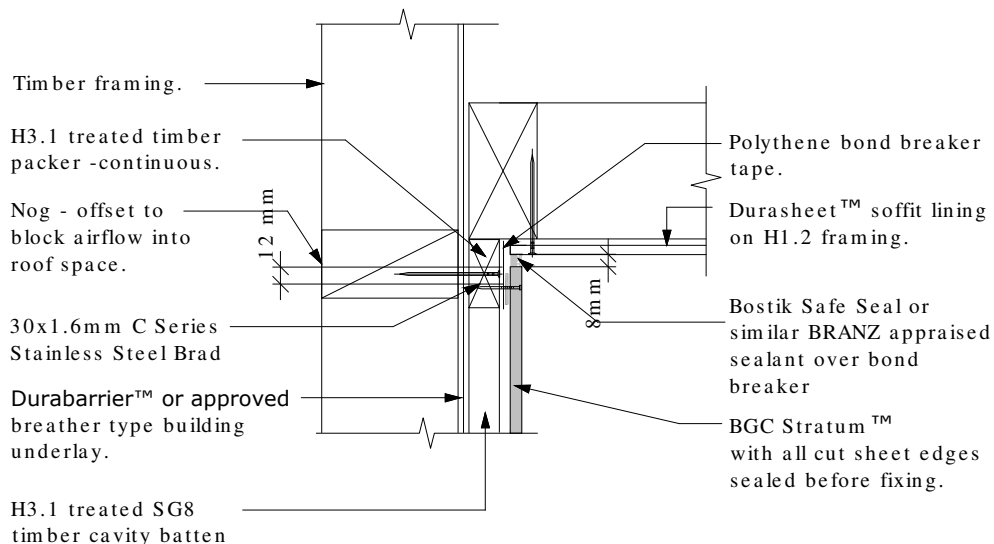
DETAIL NO. **ST-19**

**BGC****Fibre Cement****Cavity Batten Note:**

Refer to cavity batten layout for batten sizes, types, spacing's & fixings

**Cladding fixing note:**

Refer to cladding fixing layout for all fixing types & spacing's

**Scotia option****Sealant option**

PROFILE **BGC Stratum™ and Stratum™ Duo**

DATE **Jan 2014**

DETAIL **Soffit Detail  
Cavity Construction**

SCALE **1:5 @ A4**

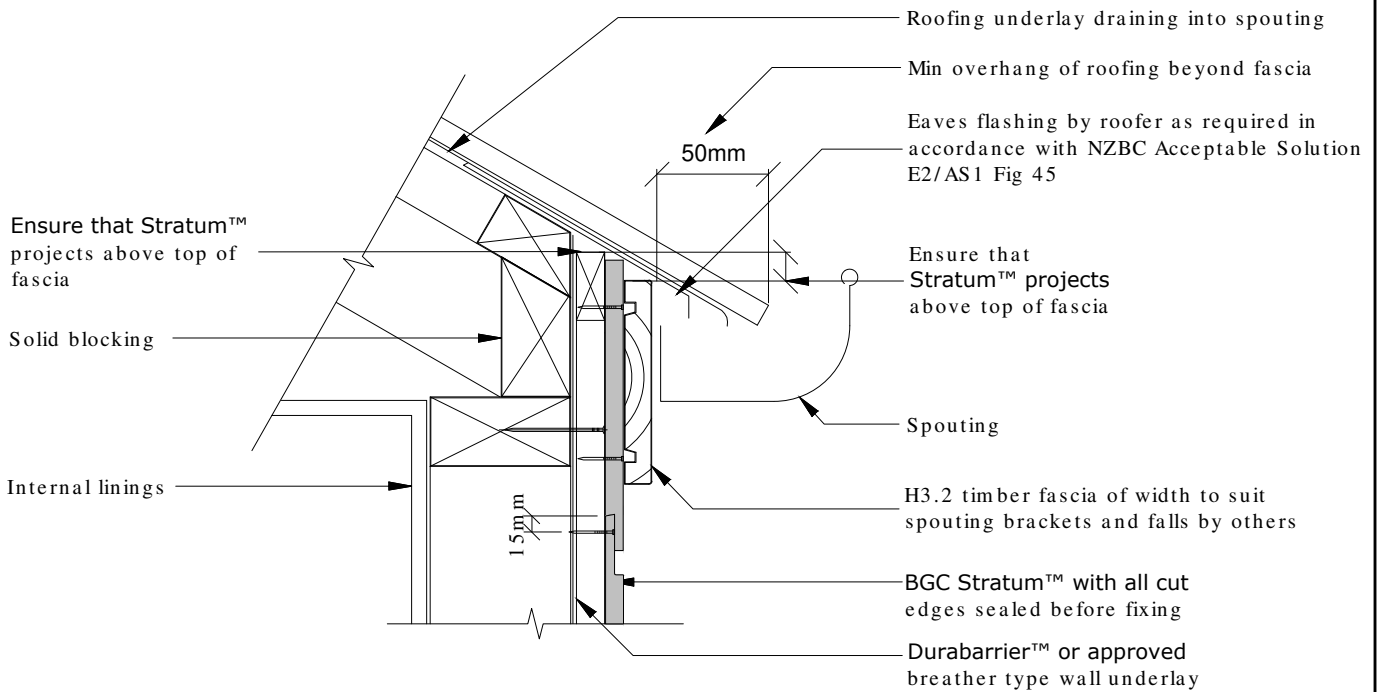
DETAIL NO. **ST-20**

**Cavity Batten Note:**

Refer to cavity batten layout for batten sizes, types, spacing's & fixings

**Cladding fixing note:**

Refer to cladding fixing layout for all fixing types & spacing's



PROFILE BGC Stratum™ and Stratum™ Duo

DATE Jan 2014

DETAIL Eaves With No Soffit Detail  
Cavity Construction

SCALE 1:5 @ A4

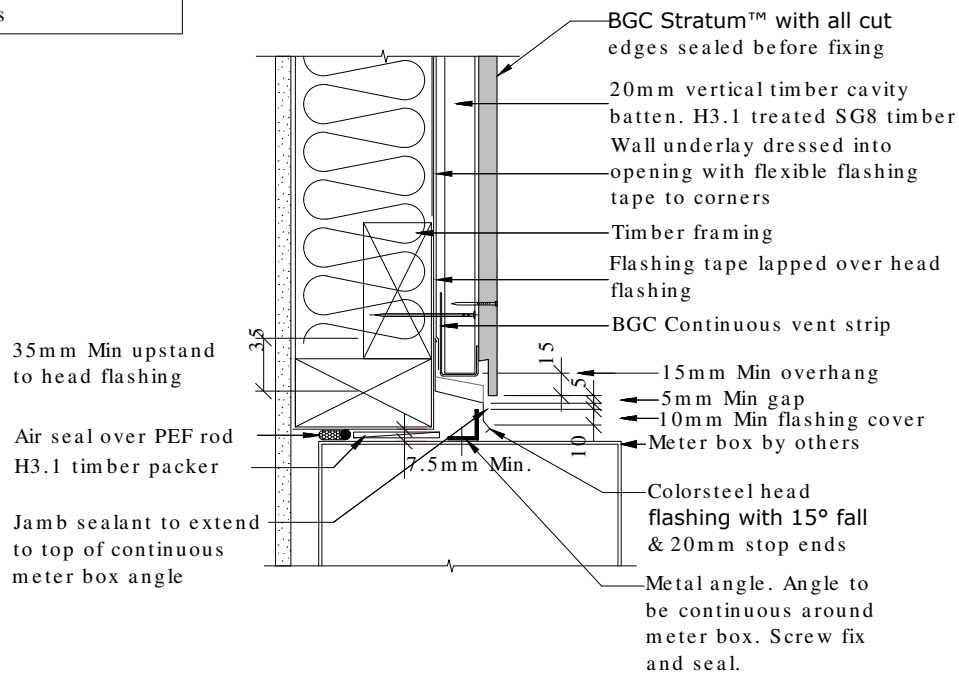
DETAIL NO. ST-21

**BGC****Fibre Cement****Cavity Batten Note:**

Refer to cavity batten layout for batten sizes, types, spacing's & fixings

**Cladding fixing note:**

Refer to cladding fixing layout for all fixing types & spacing's



Note. Where Durabarrier™ is used flashing tape must be applied to the entire opening

PROFILE **BGC Stratum™ and Stratum™ Duo**

DATE Jan 2014

DETAIL **Meter Box Head Detail  
Cavity Construction**

SCALE 1:5 @ A4

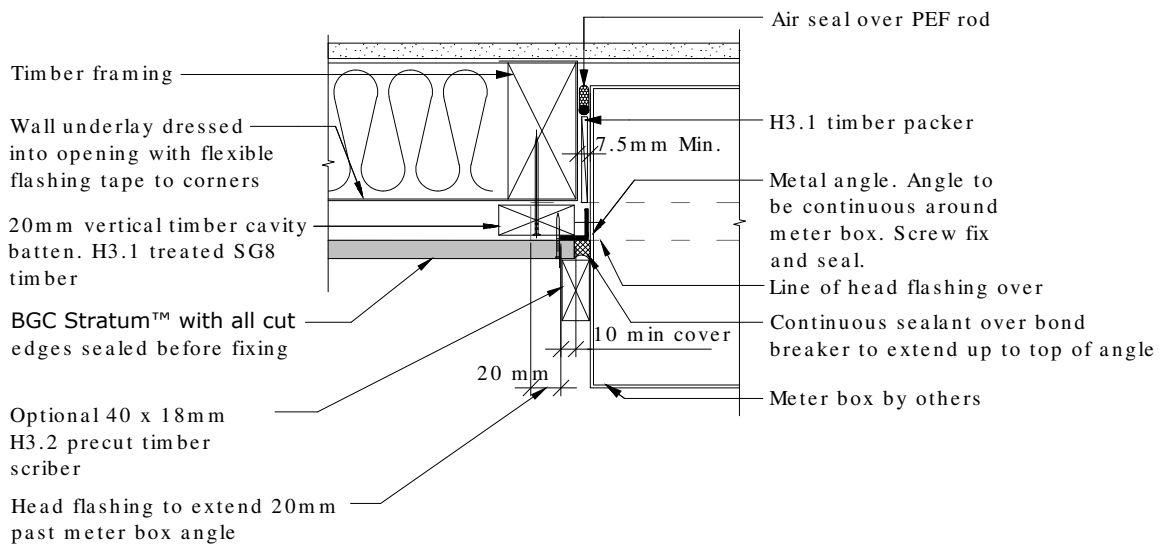
DETAIL NO. **ST-22**

**BGC****Fibre Cement****Cavity Batten Note:**

Refer to cavity batten layout for batten sizes, types, spacing's & fixings

**Cladding fixing note:**

Refer to cladding fixing layout for all fixing types & spacing's



Note. Where Durabarrier™ is used flashing tape must be applied to the entire opening

PROFILE **BGC Stratum™ and Stratum™ Duo**

DATE Jan 2014

DETAIL **Meter Box Jamb Detail  
Cavity Construction**

SCALE 1:5 @ A4

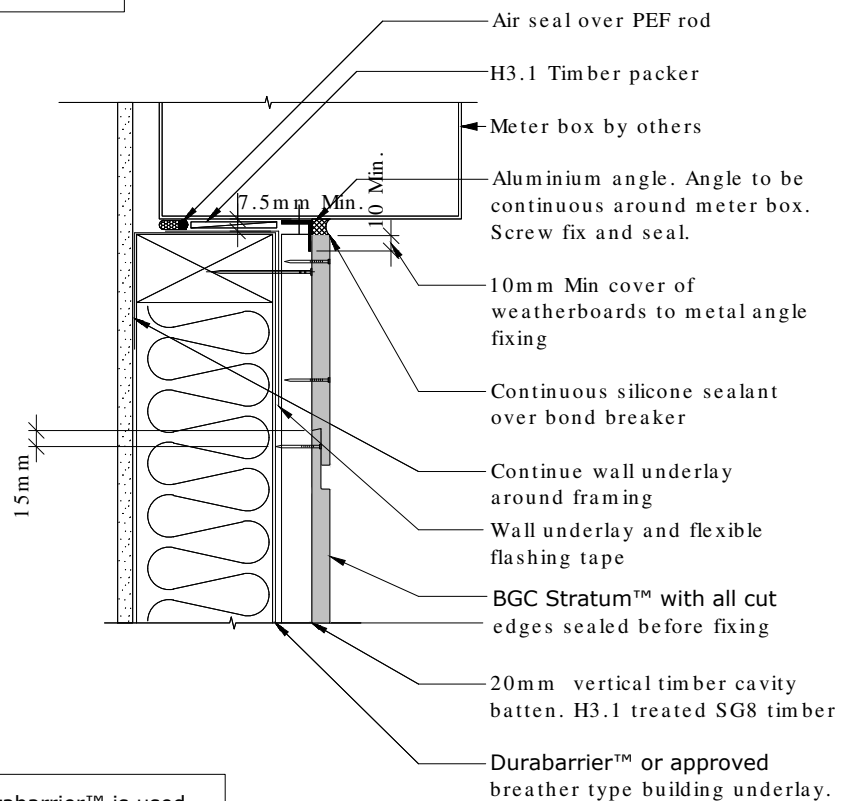
DETAIL NO. **ST-23**

**BGC****Fibre Cement****Cavity Batten Note:**

Refer to cavity batten layout for batten sizes, types, spacing's & fixings

**Cladding fixing note:**

Refer to cladding fixing layout for all fixing types & spacing's



Note. Where Durabarrier™ is used flashing tape must be applied to the entire opening

PROFILE **BGC Stratum™ and Stratum™ Duo**

DATE Jan 2014

DETAIL **Meter Box Sill Detail  
Cavity Construction**

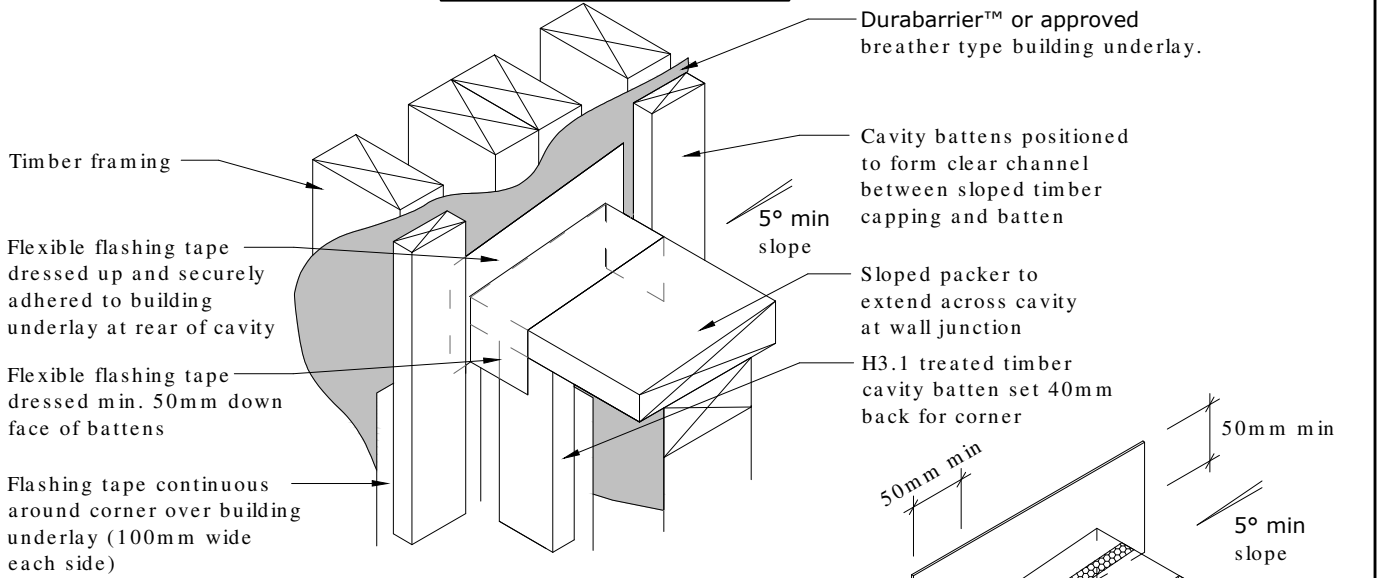
SCALE 1:5 @ A4

DETAIL NO. **ST-24**



# BGC

# Fibre Cement

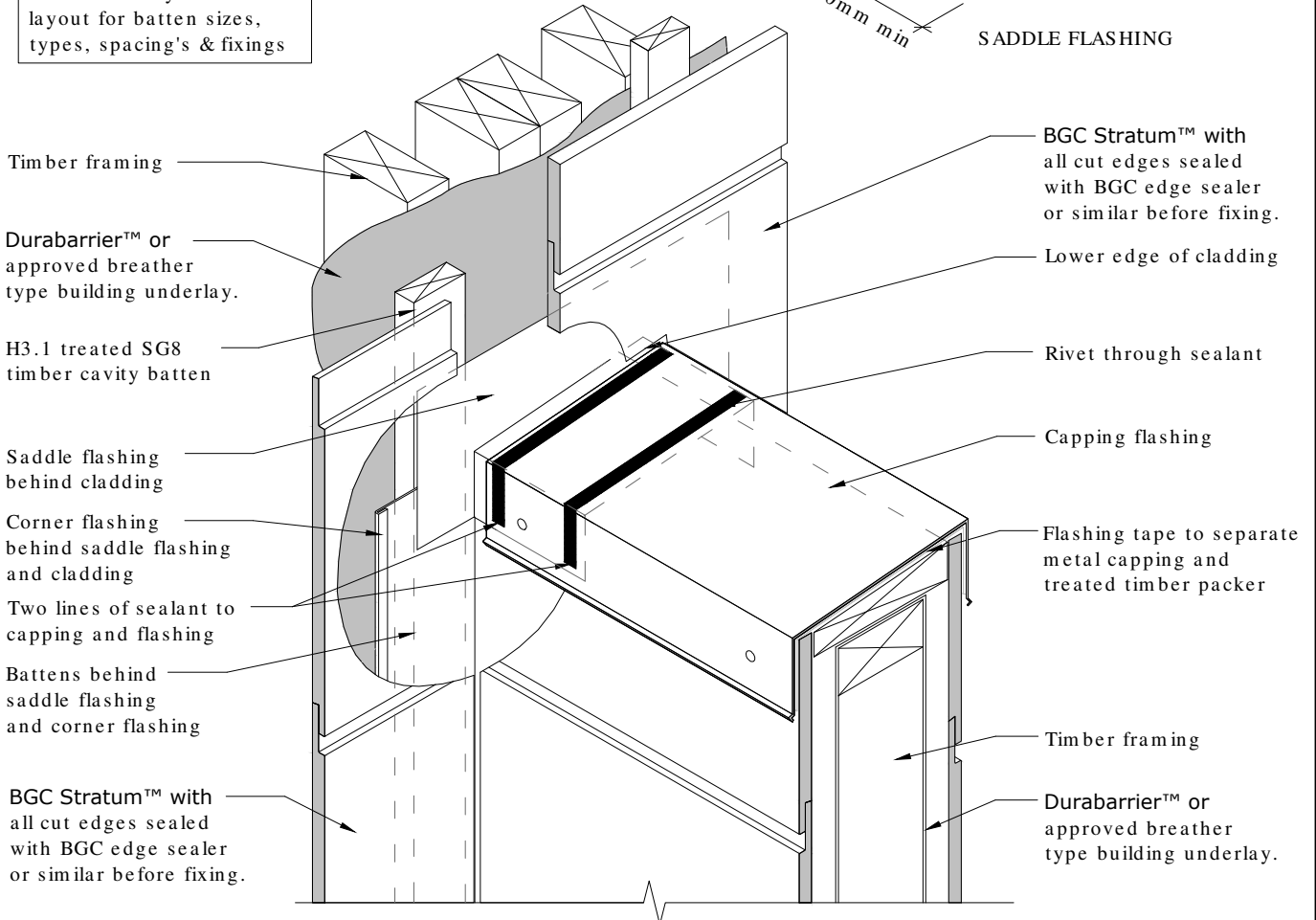


FLEXIBLE FLASHING INSTALLATION

**Cavity Batten Note:**

Refer to cavity batten layout for batten sizes, types, spacing's & fixings

SADDLE FLASHING



PROFILE BGC Stratum™ and Stratum™ Duo

DATE Jan 2014

DETAIL Enclosed Balustrade-Wall Junction 3D  
Detail Cavity Construction

SCALE 1:5 @ A4

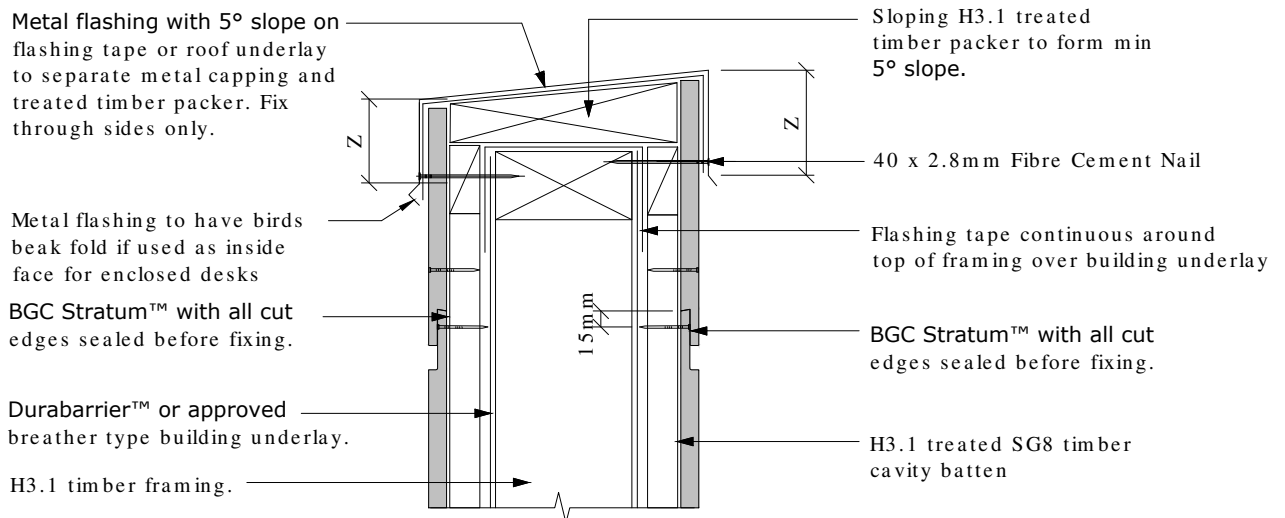
DETAIL NO. ST-25

**BGC****Fibre Cement****Cavity Batten Note:**

Refer to cavity batten layout for batten sizes, types, spacing's & fixings

**Cladding fixing note:**

Refer to cladding fixing layout for all fixing types & spacing's

**Note:**

Z = Refer to NZBC E2 / AS1 Table 7 for flashing cover requirements

PROFILE **BGC Stratum™ and Stratum™ Duo**

DATE **Jan 2014**

DETAIL **Enclosed Balustrade/Parapet Detail  
Cavity Construction**

SCALE **1:5 @ A4**

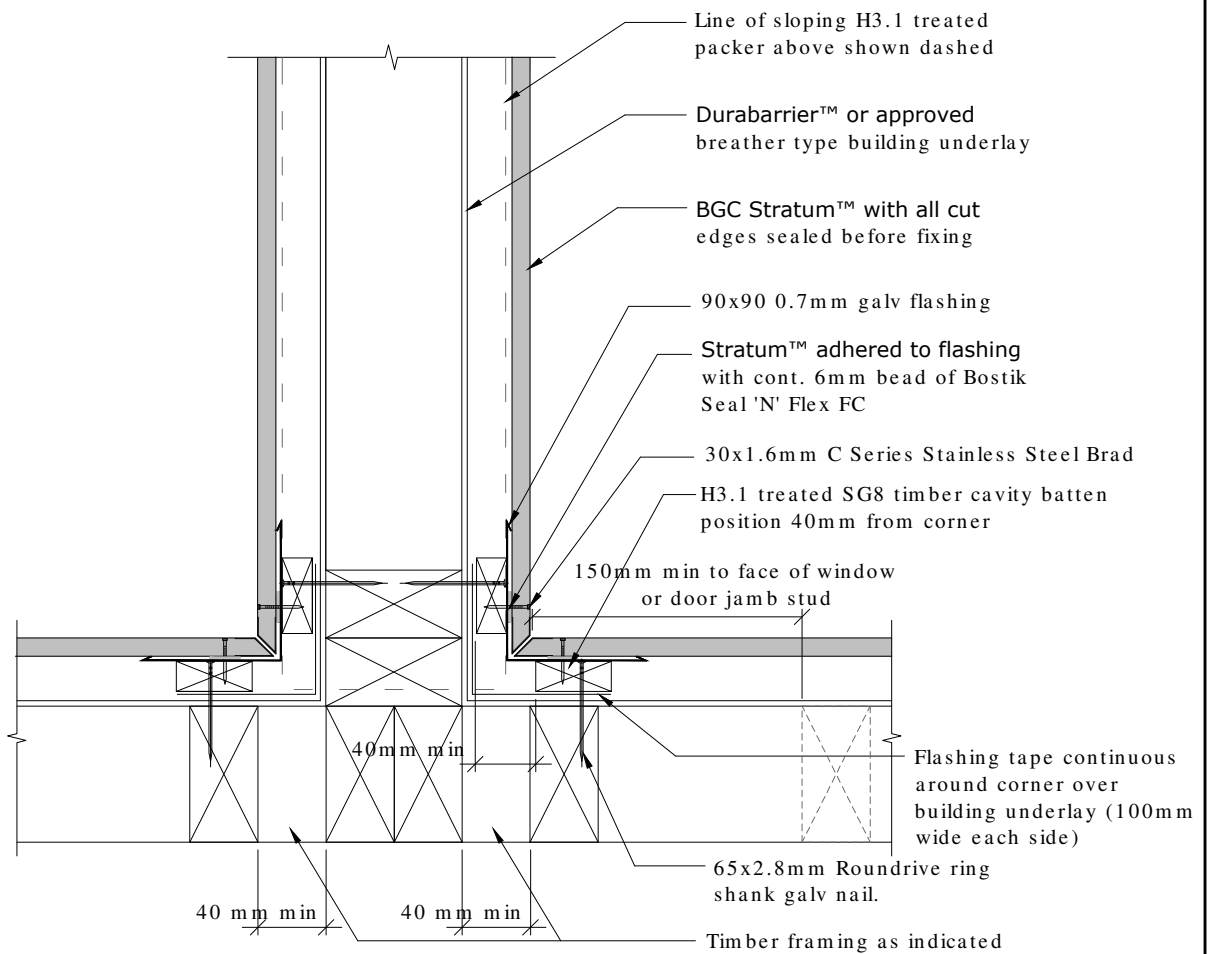
DETAIL NO. **ST-26**

**BGC****Fibre Cement****Cavity Batten Note:**

Refer to cavity batten layout for batten sizes, types, spacing's & fixings

**Cladding fixing note:**

Refer to cladding fixing layout for all fixing types & spacing's



PROFILE **BGC Stratum™ and Stratum™ Duo**

DATE Jan 2014

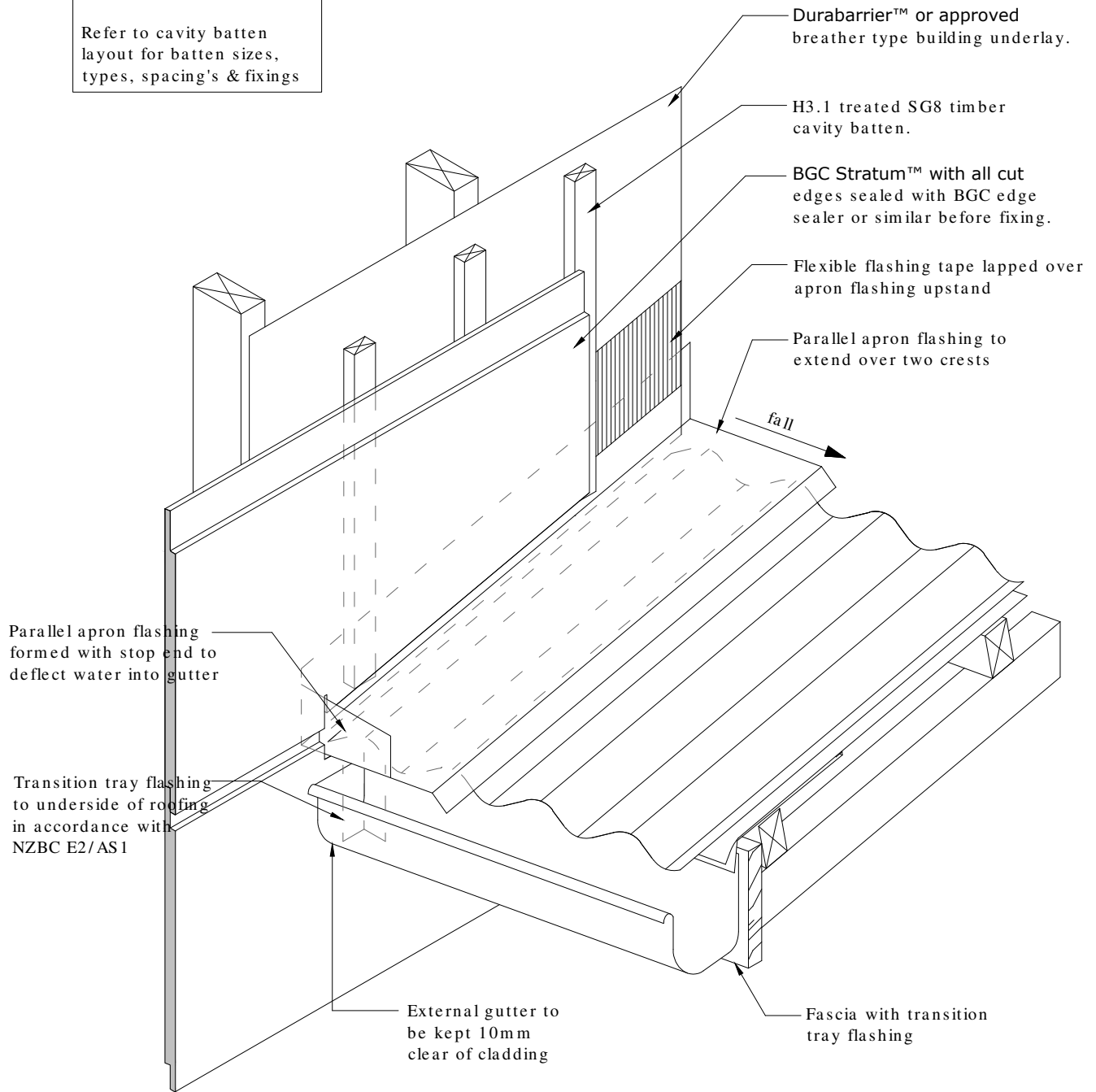
DETAIL **Enclosed Balustrade-Wall Junction Detail  
Cavity Construction**

SCALE 1:5 @ A4

DETAIL NO. **ST-27**

**BGC****Fibre Cement****Cavity Batten Note:**

Refer to cavity batten layout for batten sizes, types, spacing's & fixings

PROFILE **BGC Stratum™ and Stratum™ Duo**

DATE Jan 2014

DETAIL **Gutter to Wall Junction  
Cavity Construction**

SCALE 1:5 @ A4

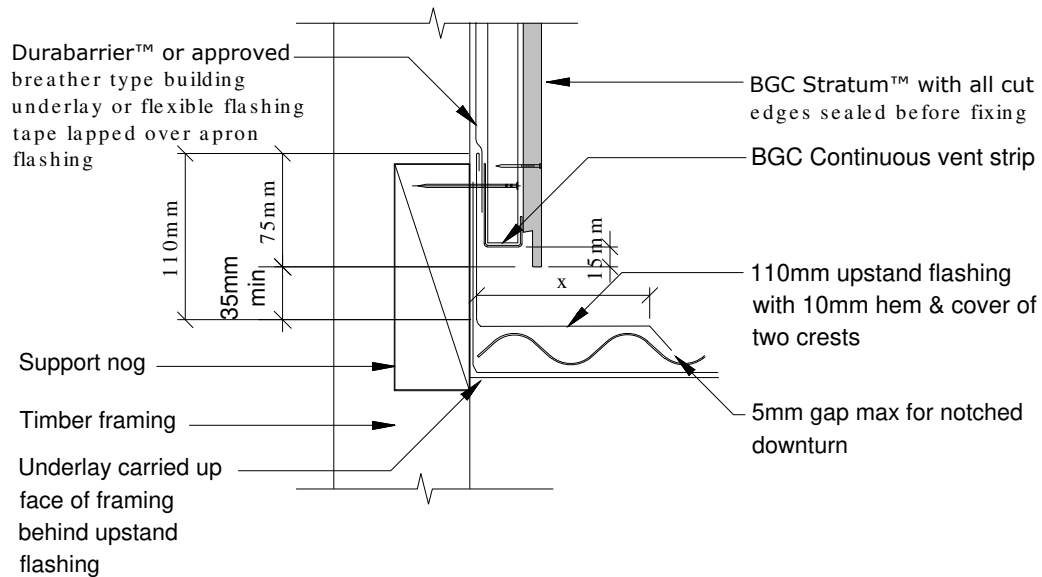
DETAIL NO. **ST-28**

**BGC****Fibre Cement****Cavity Batten Note:**

Refer to cavity batten layout for batten sizes, types, spacing's & fixings

**Cladding fixing note:**

Refer to cladding fixing layout for all fixing types & spacing's

**Note:**

x = Refer to NZBC E2 / AS1 Table for flashing cover requirements

PROFILE **BGC Stratum™ and Stratum™ Duo**

DATE **Jan 2014**

DETAIL **Parallel Apron Flashing Detail  
Cavity Construction**

SCALE **1:5 @ A4**

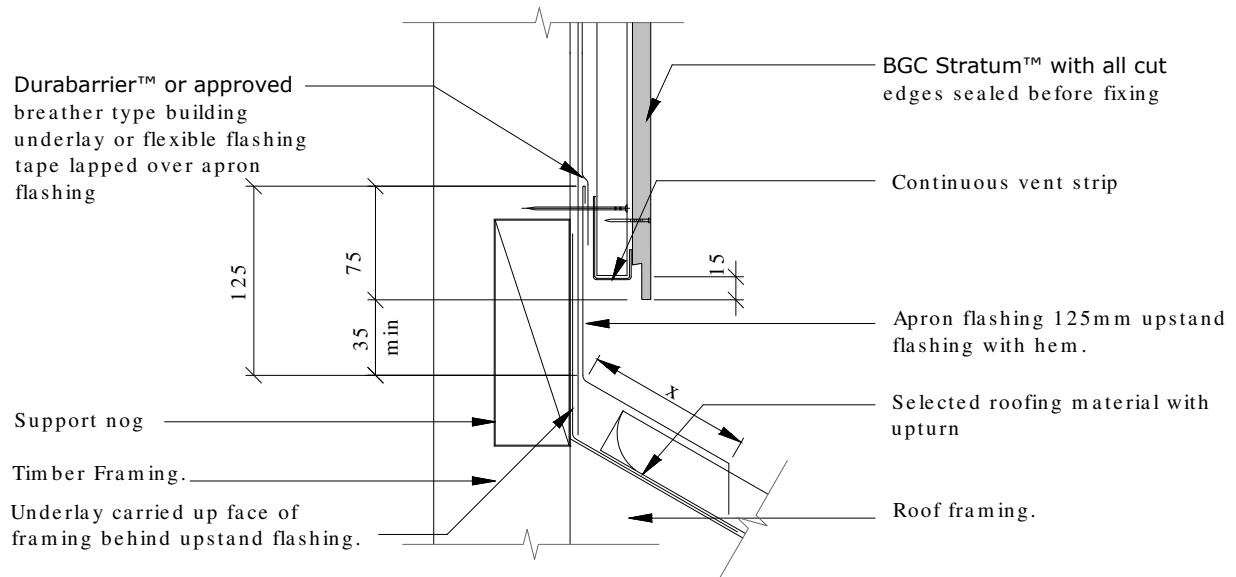
DETAIL NO. **ST-29**

**BGC****Fibre Cement****Cavity Batten Note:**

Refer to cavity batten layout for batten sizes, types, spacing's & fixings

**Cladding fixing note:**

Refer to cladding fixing layout for all fixing types & spacing's

**Note:**

x = Refer to NZBC E2 / AS1 Table for flashing cover requirements

PROFILE **BGC Stratum™ and Stratum™ Duo**

DATE **Jan 2014**

DETAIL **Transverse Apron Flashing Detail  
Cavity Construction**

SCALE **1:5 @ A4**

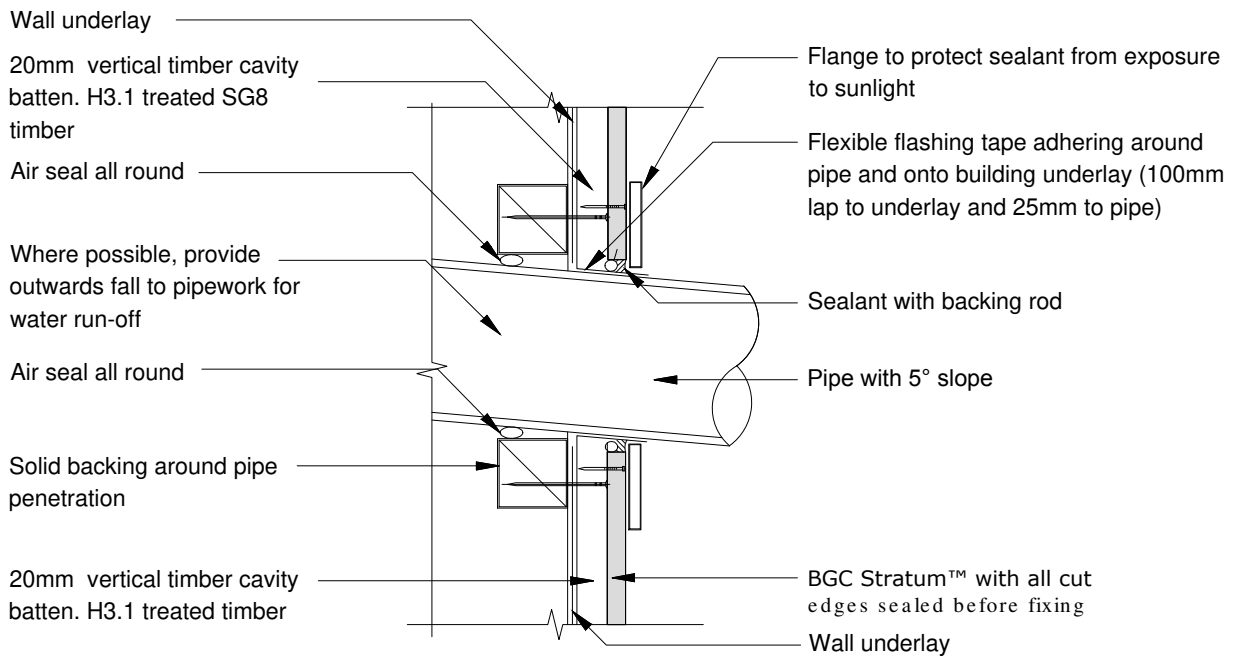
DETAIL NO. **ST-30**

**Cavity Batten Note:**

Refer to cavity batten layout for batten sizes, types, spacing's & fixings

**Cladding fixing note:**

Refer to cladding fixing layout for all fixing types & spacing's



PROFILE BGC Stratum™ and Stratum™ Duo

DATE Jan 2014

DETAIL Pipe Penetration Detail  
Cavity Construction

SCALE 1:5 @ A4

DETAIL NO. ST-31