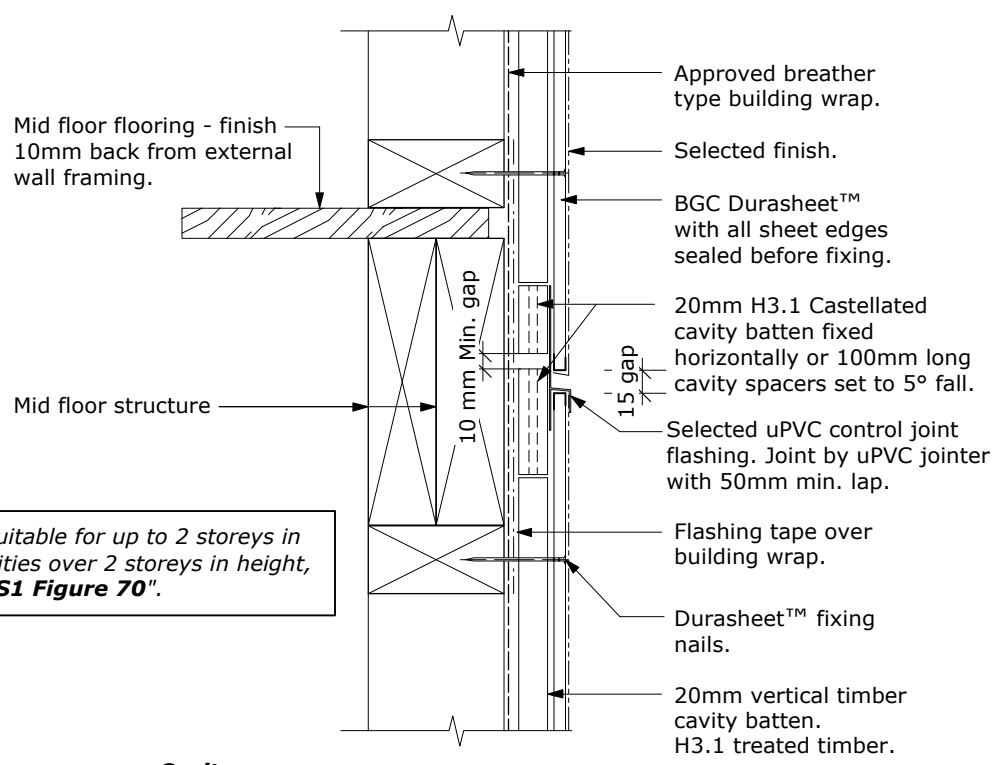


Direct Fix

Alternative sheet metal control joint flashing. Joint by lapping section min. 50mm.



Cavity

NOTE: ONLY suitable for up to 2 storeys in height. For cavities over 2 storeys in height, refer to "E2/AS1 Figure 70".