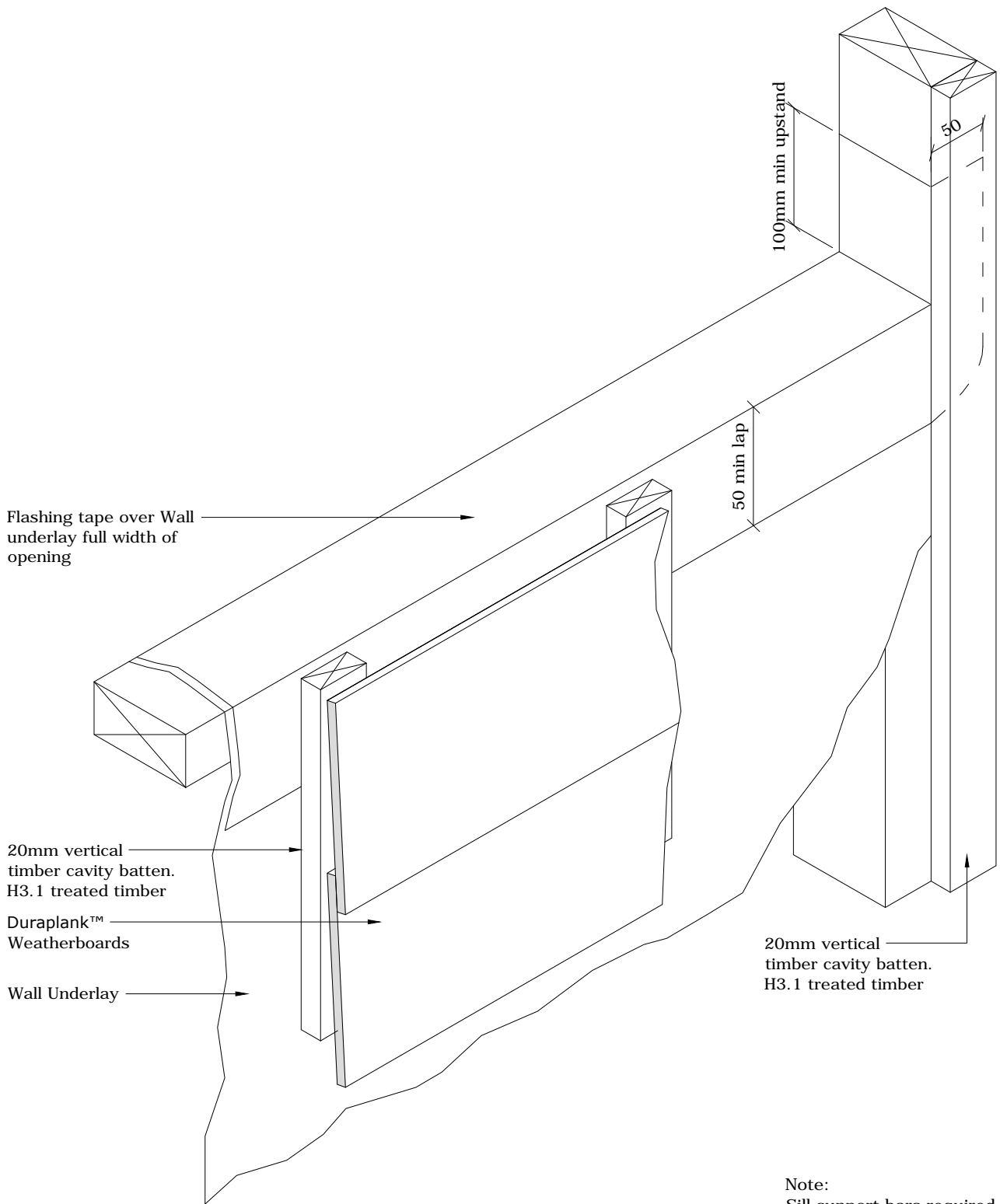


BGC



Fibre Cement



PROFILE **BGC Duraplank™ Weatherboards**
DETAIL **Window Sill/Jamb Junction Detail
Cavity Construction**

DATE **May 2017**
SCALE **1:5 @ A4**
DETAIL NO. **DU-27**