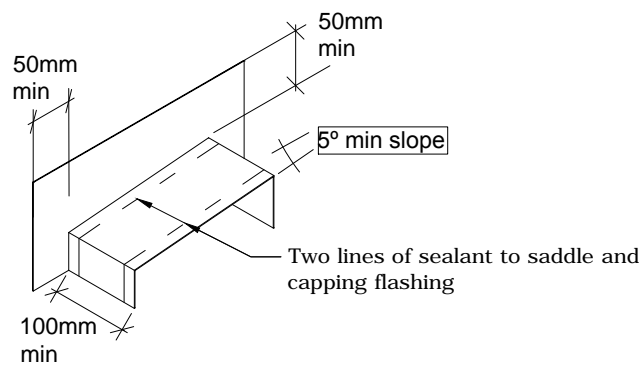
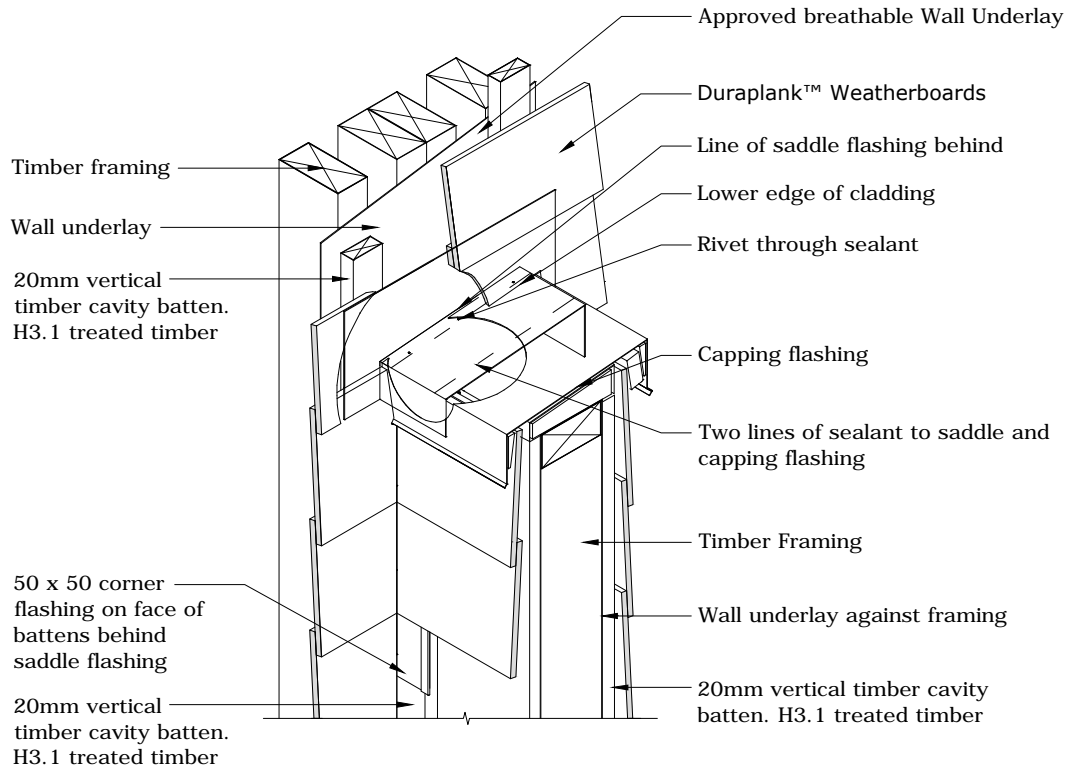


BGC



Fibre Cement



PROFILE **BGC Duraplank™ Weatherboards**

DATE **May 2017**

DETAIL **Balustrade To Wall Junction
Cavity Construction**

SCALE **1:10 @ A4**

DETAIL NO. **DU-20**