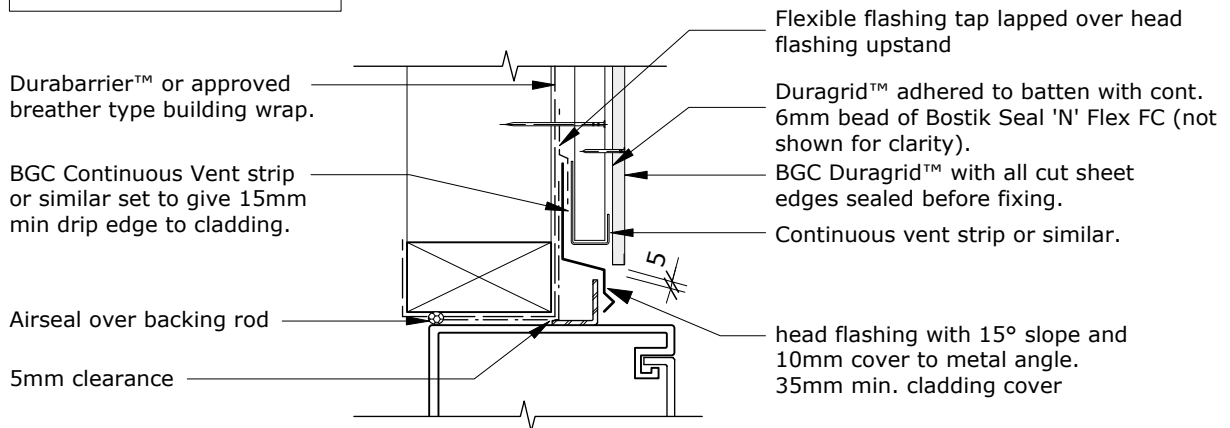
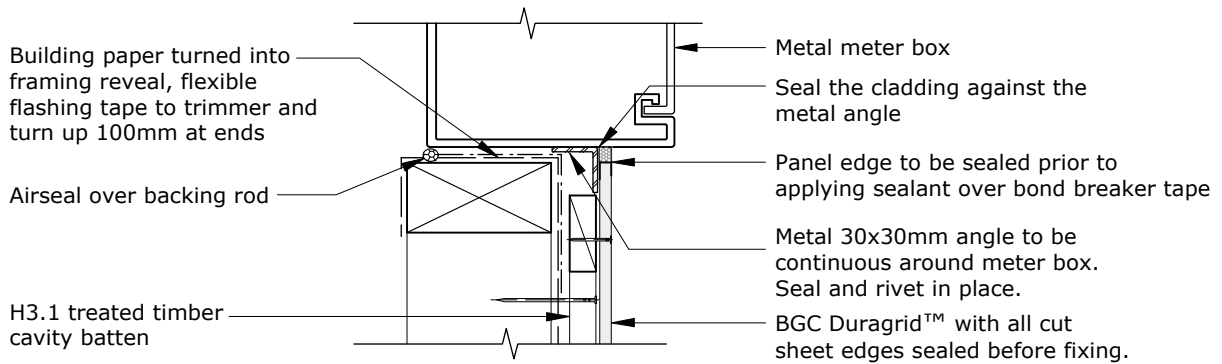


**Cavity Batten Note:**

Refer to cavity batten layout for batten sizes, types, spacings & fixings.



**Head**



**Jamb/Sill**

**Note:**

Jamb detail similar to sill with angle to give support to BGC Duragrid™

PROFILE **BGC Duragrid™**

DATE Nov 2011

DETAIL **Head/Jamb/Sill Meter Box Details**

SCALE 1:5 @ A4

DETAIL NO. **D 25**