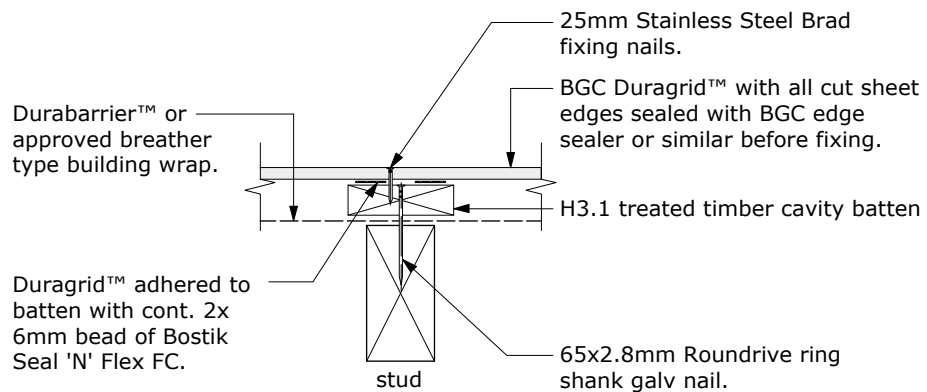


BGC**Fibre Cement****Cavity Batten Note:**

Refer to cavity batten layout for batten sizes, types, spacings & fixings.

PROFILE **BGC Duragrid™**

DATE Nov 2011

DETAIL Intermediate Stud fixing - Brad fixing

SCALE 1:5 @ A4

DETAIL NO. **D 08**