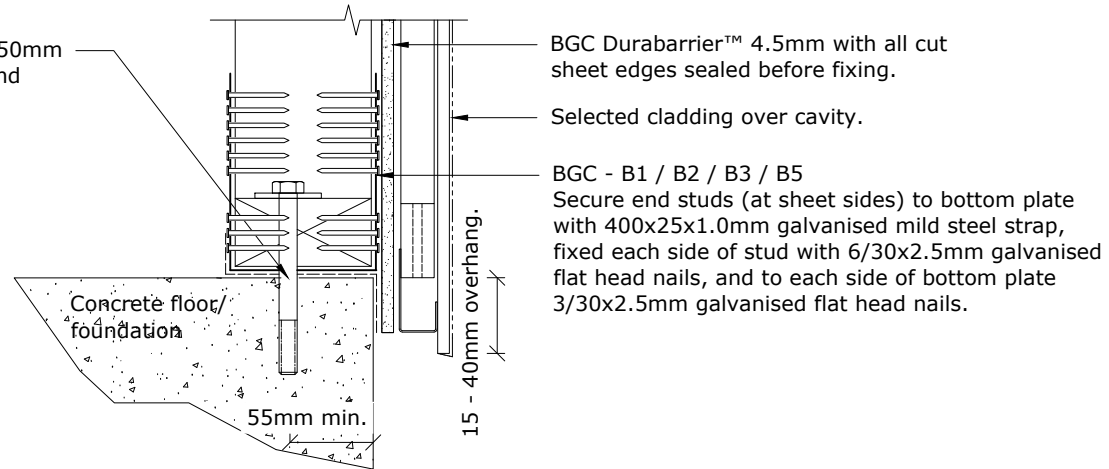


BGC**Fibre Cement**

Bottom plate hold down (concrete floor) M12x150mm HD galvanised bolts cast-in, 80mm max from end stud with 50x50x3.0mm square HD galvanised washer, or proprietary anchors with a minimum characteristic strength of 15kN each end. Intermediate fixings as per NZS 3604:2011.



Brace Element Hold Down - Construction Detail
BGC Durabarrier™ 4.5mm - B1 / B2 / B3 / B5 Sheet overhang & straps
Concrete floor

PROFILE BGC Durabarrier™ 4.5mm

DATE Aug 2018

DETAIL Bracing Element (Hold Down) - Section

SCALE 1:5 @ A4

DETAIL NO. DB11