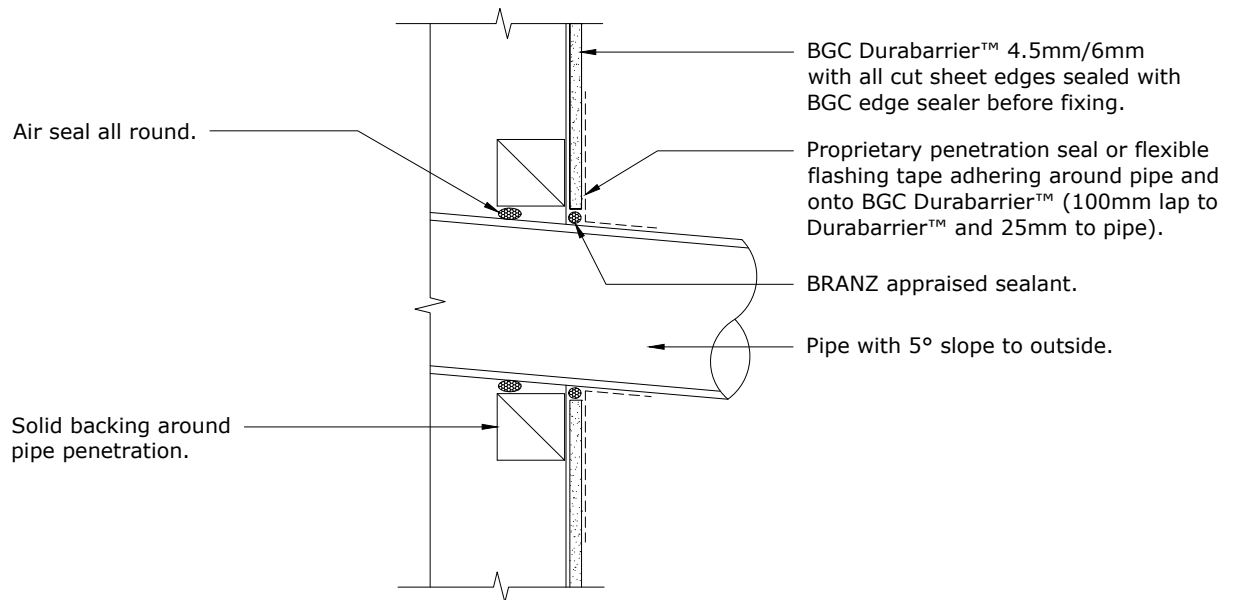




# Fibre Cement



PROFILE BGC Durabarrier™ 4.5mm / 6mm

DATE Aug 2018

DETAIL Pipe Penetration Detail

SCALE 1:5 @ A4

DETAIL NO. DB07