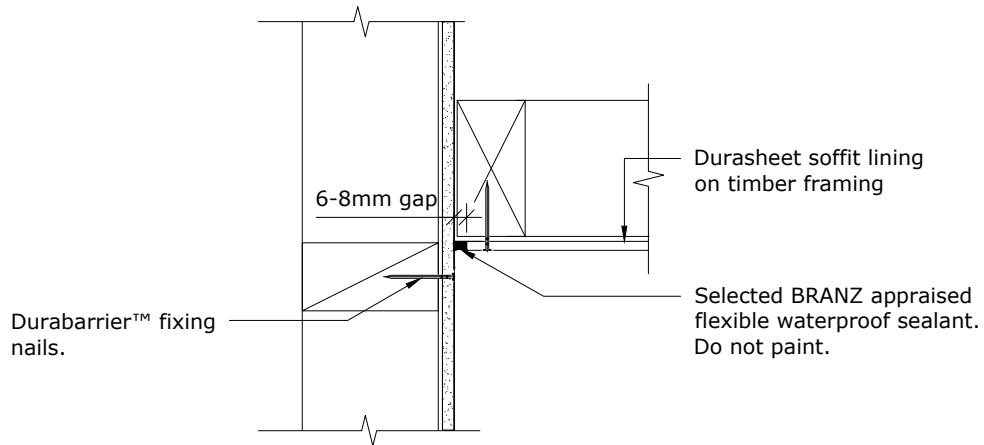
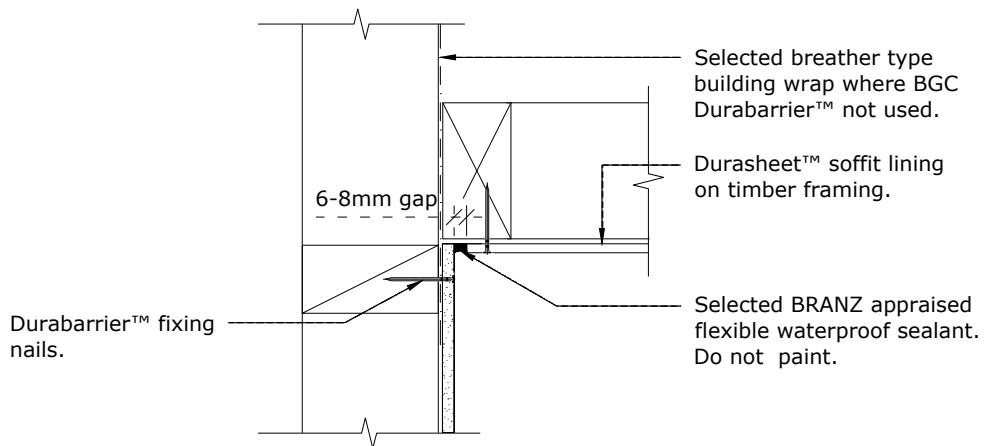




Fibre Cement



For Bracing



Non Bracing

PROFILE BGC DurabARRIER™ 4.5mm / 6mm

DATE Aug 2018

DETAIL Soffit Junction Details

SCALE 1:5 @ A4

DETAIL NO. DB05