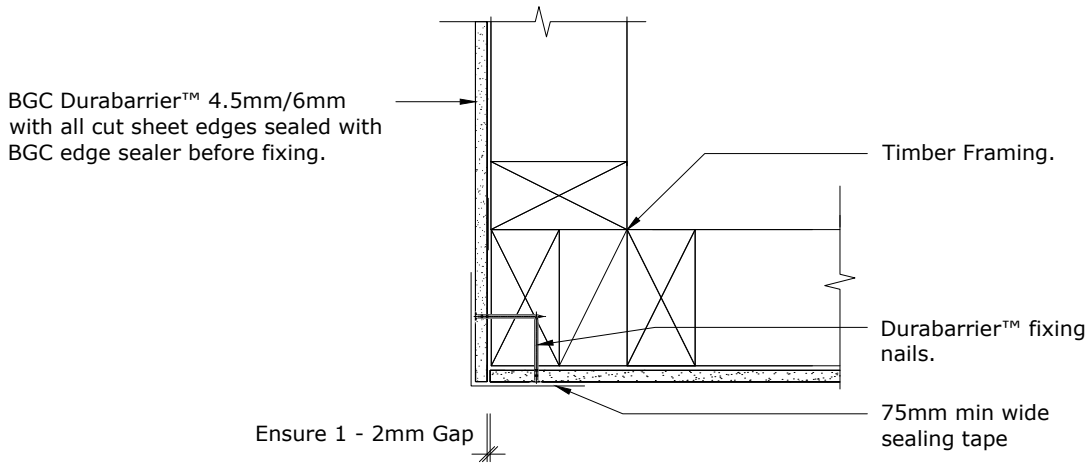
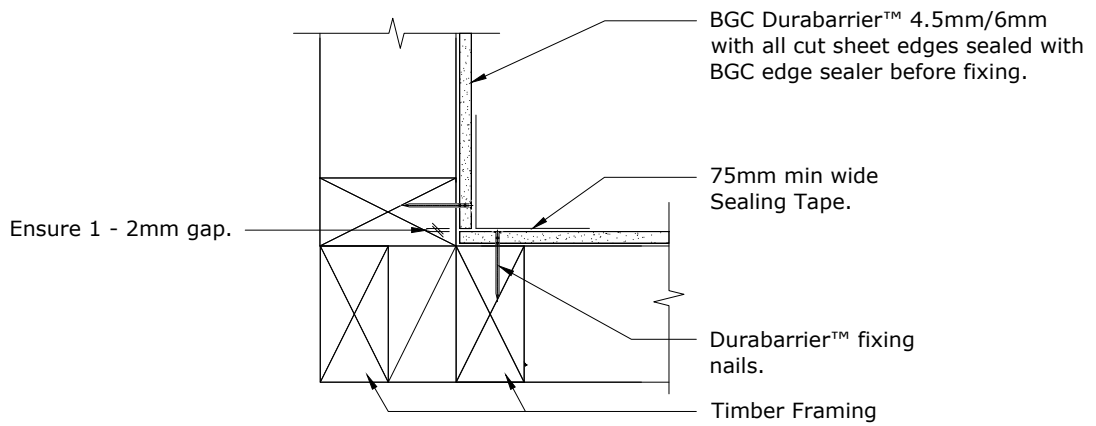




Fibre Cement



PROFILE BGC Durabarrier™ 4.5mm / 6mm

DATE Aug 2018

DETAIL Internal & External Corner Details

SCALE 1:5 @ A4

DETAIL NO. DB03